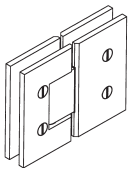
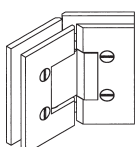
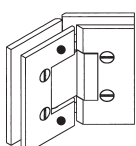


SECTION 1: SHOWER COMPONENTS		INDEX
Product		Page
Platinum Hinges		1.1 - 1.2
Sliding Shower Doorkit		1.3
Handles and Knobs		1.4 - 1.7
Overpanel Clamps, Finger Pulls and Shower Braces		1.8 - 1.9
Platinum Over Panel Header Bar		1.9A
Channels and Channel End Caps		1.10 - 1.12
Water Deflectors, Angles and Half Rounds		1.13 - 1.15
P.V.C. Shower Seals		1.16
Glass Shelves, Clear and Low Iron Glass		1.17 - 1.18
Glass Shelf Brackets		1.19
Glass Door Indicator Locks		1.20
Product Setout Details		
Platinum Hinge Cutout Details		1.21
Platinum Handles		1.22

SHOWER COMPONENTS

Platinum Hinges

To suit 8mm or 10mm glass thickness

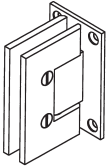
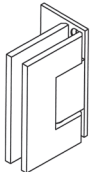
Product	Description	Code	Finish	Price
	GLASS TO GLASS HINGE 180° Inline	PH2-CP	Polished Chrome	
		PH2-SN	Satin Nickel	
		PH2-SB	Satin Brass	
		PH2-GM	Gun Metal	
		PH2-MB	Matt Black	
		PH2-SCP	Satin Chrome	
	GLASS TO GLASS HINGE 135° Fixed Angle	PH2-135-CP	Polished Chrome	
	GLASS TO GLASS HINGE 135° Adjustable Angle	PH2-135A-CP	Polished Chrome	
		PH2-135A-SN	Satin Nickel	
		PH2-135A-SB	Satin Brass	
		PH2-135A-GM	Gun Metal	
		PH2-135A-MB	Matt Black	
		PH2-135A-SCP	Satin Chrome	

For hinge cutout details refer page 1.21

SHOWER COMPONENTS

Platinum Hinges

To suit 8mm or 10mm glass thickness

Product	Description	Code	Finish	Price
	WALL FIX HINGE Standard mounting plate 4 screw fixing	PH1-CP	Polished Chrome	
		PH1-SN	Satin Nickel	
		PH1-MB	Matt Black	
		PH1-SCP	Satin Chrome	
	WALL FIX HINGE Single sided mounting plate 50mm wide back plate 3 screw fixing	PH1-L-CP	Polished Chrome	
		PH1-L-SN	Satin Nickel	
		PH1-L-SB	Satin Brass	
		PH1-L-GM	Gun Metal	
		PH1-L-MB	Matt Black	
		PH1-L-SCP	Satin Chrome	

For hinge cutout details refer page 1.21

SHOWER COMPONENTS

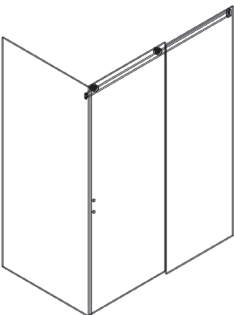
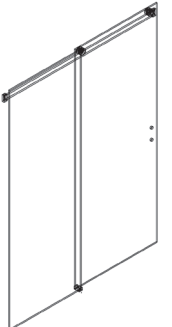
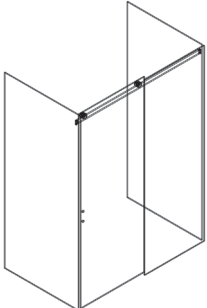
Platinum Sliding Shower Doorkit

Suits 8mm or 10mm glass thickness.

For doors up to 45kg in weight.

Each set contains: Track, Track fixing bracket, Hangers, Anti jump buttons, Side panel fixing brackets, Wheels, Stops & Guide.

Finishes: Bright Polished Stainless Steel and Plated Matt Black.

Product	Code	Description	Finish	Price
	PS-2000-GW	GLASS TO WALL FIXING SET For showers up to 2000mm OA width. Includes one glass mount return bracket to connect track to the glass return panel.	Polished Matt Black Satin Nickel Gun Metal Satin Brass	
	PS-2000-WW	WALL TO WALL FIXING SET For showers up to 2000mm OA width	Polished Matt Black Satin Nickel Gun Metal Satin Brass	
	PS-2000-GG	GLASS TO GLASS FIXING SET For showers up to 2000mm OA width. Includes two glass mount return brackets to connect track to both glass return panels.	Polished Matt Black Satin Nickel Gun Metal Satin Brass	
	PS-2000B	Additional button supports for PS-2000 SHOWER	Polished Matt Black	

Spare parts available on request.

Kits are sent out with all components to make selected configuration above. Excluding channel and handle.

SHOWER COMPONENTS

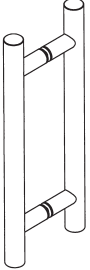
Platinum Handles 250mm Series

Product	Description	Code	Finish	Price
	DOUBLE D 25mm diameter 250mm hole centres 12mm diameter glass holes	PH-D250-PS	Polished	
		PH-D250-MB	Matt Black	
		PH-D250-SS	Satin Stainless	
	QUADRANT 10mm x 20mm rectangle section 250mm hole centres 10mm diameter glass holes	PH-Q250-PS	Polished	
		PH-Q250-SN	Satin Nickel	
		PH-Q250-SB	Satin Brass	
		PH-Q250-GM	Gun Metal	
		PH-Q250-MB	Matt Black	
		PH-Q250-SS	Satin Stainless	

For handle set out details refer page 1.22

SHOWER COMPONENTS

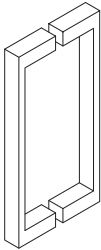

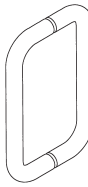
Platinum Handles 250mm Series

Product	Description	Code	Finish	Price
	FINELINE ROUND 25mm diameter 250mm hole centres 10mm diameter glass holes	PH-FR250-PS	Polished	
		PH-FR250-SN	Satin Nickel	
		PH-FR250-SB	Satin Brass	
		PH-FR250-GM	Gun Metal	
		PH-FR250-MB	Matt Black	
		PH-FR250-SS	Satin Stainless	
	FINELINE SQUARE 19mm x 19mm square section Stainless Steel 250mm hole centres 10mm diameter glass holes	PH-FS250-PS	Polished	
		PH-FS250-SN	Satin Nickel	
		PH-FS250-MB	Matt Black	
		PH-FS250-SS	Satin Stainless	

For handle set out details refer page 1.22

SHOWER COMPONENTS

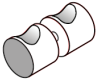
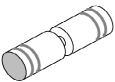
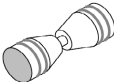
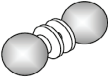
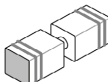
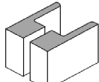
Platinum Handles 210mm Series

Product	Description	Code	Finish	Price
	QUADRANT 10mm x 20mm rectangle section Stainless Steel 210mm hole centres 10mm diameter glass holes	PH-Q210-PS	Polished	
		PH-Q210-GM	Gun Metal	
		PH-Q210-SB	Satin Brass	
		PH-Q210-SS	Satin Stainless	
		PH-Q210-SN	Satin Nickel	
		PH-Q210-MB	Matt Black	
	FINELINE ROUND 25mm diameter 210mm hole centres 10mm diameter glass holes	PH-FR210-PS	Polished	
		PH-FR210-GM	Gun Metal	
		PH-FR210-SB	Satin Brass	
		PH-FR210-SS	Satin Stainless	
		PH-D210-SN	Satin Nickel	
		PH-Q210-MB	Matt Black	
	DOUBLE D 25mm diameter 210mm hole centres 12mm diameter glass holes	PH-D210-PS	Polished	
		PH-D210-GM	Gun Metal	
		PH-D210-SB	Satin Brass	
		PH-D210-SN	Satin Nickel	
		PH-D210-MB	Matt Black	
		PH-D210-SS	Satin Stainless	

For handle set out details refer page 1.22

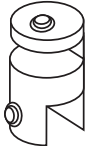
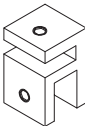

SHOWER COMPONENTS

Knobs Sets

Product	Description	Code	Finish	Price
	ROUND PULL KNOB WITH FINGER GRIP 32mm diameter	PK32-CP	Polished Chrome	
		PK32-SCP	Satin Chrome	
		PK32-MB	Matt Black	
		PK32-SN	Satin Nickel	
		PK32-GM	Gun Metal	
		PK32-SB	Satin Brass	
	ROUND PULL KNOB 25mm diameter	PK25-CP	Polished Chrome	
		PK25-SCP	Satin Chrome	
	TAPERED KNOB 38mm diameter	PK38-CP	Polished Chrome	
		PK38-SCP	Satin Chrome	
	ROUND PULL KNOB BALL SHAPE 30mm diameter	PK30-CP	Polished Chrome	
		PK30-SCP	Satin Chrome	
	SQUARE KNOB 25mm x 25mm	PKS25-CP	Polished Chrome	
		PKS25-SCP	Satin Chrome	
	SQUARE MINI KNOB PULL HANDLE 70mm x 50mm	PK70-CP	Polished Chrome	
		PKS70-SCP	Satin Chrome	



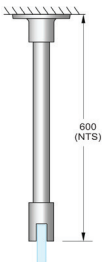
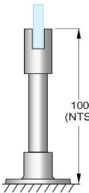
SHOWER COMPONENTS

Platinum Over Panel Clamps and Finger Pulls

Product	Description	Code	Finish	Price
	<p>SHOWER OVER PANEL CLAMP 20mm diameter round</p> <p>Recommended to be used with a small amount of silicone to assist with the secure fixing of the 6mm over panel glass.</p>	OP-10R-CP	Polished Chrome	
		OP-10R-SN	Satin Nickel	
		OP-10R-SB	Satin Brass	
		OP-10R-GM	Gun Metal	
		OP-10R-MB	Matt Black	
	<p>SHOWER OVER PANEL CLAMP 20mm x 20mm square</p> <p>Recommended to be used with a small amount of silicone to assist with the secure fixing of the 6mm over panel glass.</p>	OP-10S-CP	Polished Chrome	
		OP-10S-SN	Satin Nickel	
		OP-10S-SB	Satin Brass	
		OP-10S-GM	Gun Metal	
		OP-10S-MB	Matt Black	
	<p>58MM DIAMETER SLIDING DOOR FINGER PULL Require 46mm diameter hole in the glass. Suit 8mm, 10mm and 12mm toughened glass</p>	FP58-PSS	Polished Stainless	
		FP58-SSS	Satin Stainless	
		FP58-MB	Matt Black	
		FP58-SN	Satin Nickel	
		FP58-GM	Gun Metal	
		FP58-SB	Satin Brass	

SHOWER COMPONENTS

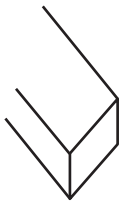
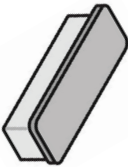
Shower Braces

Product	Description	Code	Finish	Price
	SHOWER BRACE WALL TO GLASS 20mm diameter rod Adjustable up to 1200mm	SBR-1200	PSS	
		SBR-1200	SSS	
	SHOWER BRACE WALL TO GLASS Rectangle tube 30mm x 10mm	SBS-1000	PSS	
	SHOWER BRACE CEILING TO GLASS Adjustable up to 600mm	SCB-600	PSS	
		SCB-600	SSS	
	SHOWER BRACE FLOOR TO GLASS Adjustable up to 1000mm	SFB-100	PSS	
		SFB-100	SSS	

SHOWER COMPONENTS

Platinum Over Panel Header Bar

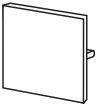
These stainless steel over panel bars replace glass over panels. Cut to length on site and use in conjunction with OP-10S over panel clamps.

Product	Description	Code	Finish	Price
	HEADER BAR 30mm x 5mm x 1000mm	HB-1000-PS	Polished	
	HEADER BAR 30mm x 5mm x 1200mm	HB-1200-PS	Polished	
		HB-1200-SN	Satin Nickel	
		HB-1200-GM	Gun Metal	
		HB-1200-MB	Matt Black	
		HB-1200-SB	Satin Brass	
	HEADER BAR End Cap	HB-EC-PS	Polished	
		HB-EC-SN	Satin Nickel	
		HB-EC-GM	Gun Metal	
		HB-EC-MB	Matt Black	
		HB-EC-SB	Satin Brass	

See page 1.9 for OP-10S Over Panel Clamps.

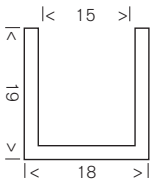
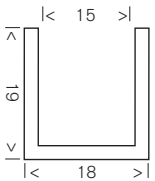
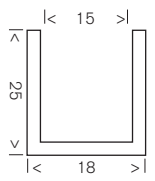
SHOWER COMPONENTS

Channel End Caps

Product	Description	Code	Finish	Price
	END CAPS FOR CS18 CHANNEL	CC18-PS	Polished Anod	
		CC18-NAT	Natural Anod	
		CC18-SCP	Satin Chrome	
		CC18-SN	Satin Nickel	
		CC18-SB	Satin Brass	
		CC18-GM	Gun Metal	
		CC18-MB	Matt Black	
	END CAPS FOR CS15 CHANNEL	CC15-PS	Polished Anod	
		CC15-NAT	Natural Anod	
		CC15-SCP	Satin Chrome	
		CC15-SN	Satin Nickel	
		CC15-SB	Satin Brass	
		CC15-GM	Gun Metal	
		CC15-MB	Matt Black	
END CAPS FOR CS24 CHANNEL	CC24-PS	Polished Chrome		
	Other finishes available on request	CC24-NAT	Natural Anod	

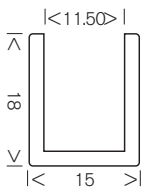
SHOWER COMPONENTS

Channel Sections

Product	Description	Code	Finish	Price
	18 x 18 x 2100mm CHANNEL	CS18-PS	Polished Anod	
		CS18-NAT	Natural Anod	
		CS18-SCP	Satin Chrome	
		CS18-SN	Satin Nickel	
		CS18-SB	Satin Brass	
		CS18-GM	Gun Metal	
		CS18-MB	Matt Black	
	18 x 18 x 3000mm CHANNEL	CS18-PS	Polished Anod	
		CS18-NAT	Natural Anod	
		CS18-SCP	Satin Chrome	
		CS18-SN	Satin Nickel	
		CS18-SB	Satin Brass	
		CS18-GM	Gun Metal	
		CS18-MB	Matt Black	
	25 x 18 x 3000mm CHANNEL Other finishes available on request	CS24-PS	Polished Chrome	
		CS24-NAT	Natural Anod	

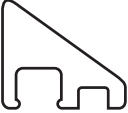
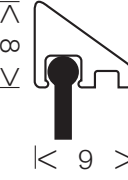
SHOWER COMPONENTS

Channel Sections

Product	Description	Code	Finish	Price
	18 x 15 x 2100mm CHANNEL	CS15-PS	Polished Anod	
		CS15-NAT	Natural Anod	
		CS15-MB	Matt Black	
	18 x 15 x 3000mm CHANNEL	CS15-PS	Polished Anod	
		CS15-NAT	Natural Anod	
		CS15-SCP	Satin Chrome	
		CS15-SN	Satin Nickel	
		CS15-SB	Satin Brass	
		CS15-GM	Gun Metal	
		CS15-MB	Matt Black	

SHOWER COMPONENTS

SHOWER DOOR WATER DEFLECTOR

Product	Description	Code	Finish	Price
	SHOWER DOOR WATER DEFLECTOR Without Felt 1400mm	WD1-0	Polished Anod	
		WD1-0	Natural Anod	
		WD1-0	Satin Chrome	
		WD1-0	Satin Nickel	
		WD1-0	Satin Brass	
		WD1-0	Gun Metal	
		WD1-0	Matt Black	
	SHOWER DOOR WATER DEFLECTOR Without Felt 2800mm	WD1-0	Polished Anod	
		WD1-0	Natural Anod	
		WD1-0	Satin Chrome	
		WD1-0	Satin Nickel	
		WD1-0	Satin Brass	
		WD1-0	Gun Metal	
		WD1-0	Matt Black	
	SHOWER DOOR WATER DEFLECTOR With Felt 1400mm	WD1	Polished Anod	
		WD1	Natural Anod	
		WD1	Satin Chrome	
		WD1	Satin Nickel	
		WD1	Satin Brass	
		WD1	Gun Metal	
		WD1	Matt Black	
	SHOWER DOOR WATER DEFLECTOR With Felt 2800mm	WD1	Polished Anod	
		WD1	Natural Anod	
		WD1	Satin Chrome	
		WD1	Satin Nickel	
		WD1	Satin Brass	
		WD1	Gun Metal	
		WD1	Matt Black	

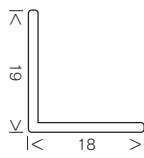
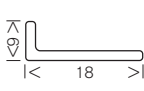
SHOWER COMPONENTS

HALF ROUND

Product	Description	Code	Finish	Price
	HALF ROUND WATER BAR 1400mm	HR1	Polished Anod	
		HR1	Natural Anod	
		HR1	Satin Chrome	
		HR1	Satin Nickel	
		HR1	Satin Brass	
		HR1	Gun Metal	
		HR1	Matt Black	
	HALF ROUND WATER BAR 2800mm	HR1	Polished Anod	
		HR1	Natural Anod	
		HR1	Satin Chrome	
		HR1	Satin Nickel	
		HR1	Satin Brass	
		HR1	Gun Metal	
		HR1	Matt Black	

SHOWER COMPONENTS

ANGLES

Product	Description	Code	Finish	Price
	18 x 19 x 2500mm Angle Section	AS18	Polished Anod	
		AS18	Natural Anod	
		AS18	Matt Black	
	6 x 18 x 1400mm Water Bar	AS6	Polished Anod	
		AS6	Natural Anod	
		AS6	Matt Black	
		AS6	Satin Chrome	
		AS6	Satin Nickel	
		AS6	Satin Brass	
		AS6	Gun Metal	
	6 x 18 x 2800mm Water Bar	AS6	Polished Anod	
		AS6	Natural Anod	
		AS6	Matt Black	
		AS6	Satin Chrome	
		AS6	Satin Nickel	
		AS6	Satin Brass	
		AS6	Gun Metal	

SHOWER COMPONENTS

PVC Shower Seals

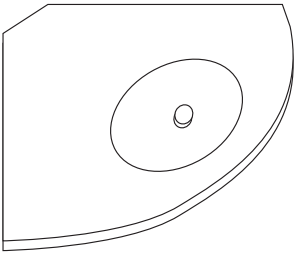
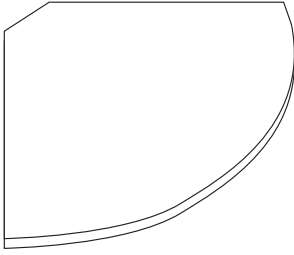

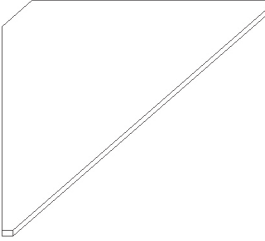
Prices per length

Product	Code	Description	
	PVC-10-1	BOTTOM DOOR SEAL FOR 10MM GLASS 1400mm PVC	
	PVC-10-2	BOTTOM 20MM EXTENDED DOOR SEAL FOR 10MM GLASS 2100mm PVC	
	PVC-10-3	GLASS TO GLASS 135 DEG SEAL FOR 10MM GLASS 2100mm PVC	
	PVC-10-4	GLASS TO GLASS 180 DEG SEAL FOR 10MM GLASS 2100mm PVC	
	PVC-10-5	BULB DOOR SEAL FOR 10MM GLASS 2100mm PVC	
	PVC-10-6	SLIDING DOOR SEAL 22MM FOR 10MM GLASS 2100mm PVC	
	PVC-10-7	GLASS TO GLASS 90 DEG SEAL FOR 10MM GLASS 2100mm PVC	

NOTE: Clearances shown for water seals are only a guide

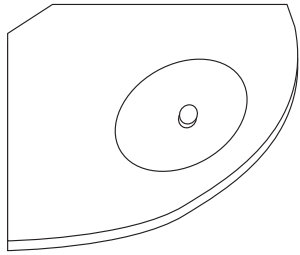
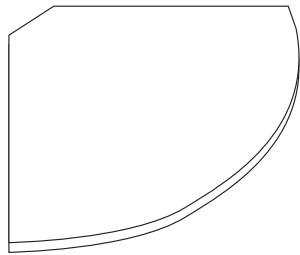
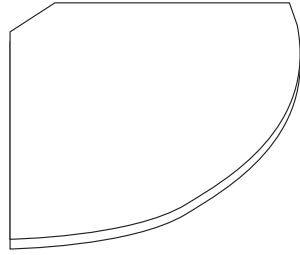
SHOWER COMPONENTS

Clear Glass Shelves

Product	Code	Description	Price
	GS200/D	CORNER SHELF WITH SOAP DISH 200 x 200 x 10mm Clear toughened glass	
	GS200	CORNER SHELF 200 x 200 x 10mm Clear toughened glass	
	GS250	CORNER SHELF 250 x 250 x 10mm Clear toughened glass	
	GSA250	ANGLED CORNER SHELF 250 x 250 x 10mm Clear toughened glass	


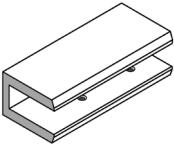
SHOWER COMPONENTS

Starfire Low Iron Glass Shelves

Product	Code	Description	Price
	GS200/ SD	CORNER SHELF WITH SOAP DISH 200 x 200 x 10mm Low iron toughened glass	
	GS200/S	CORNER SHELF 200 x 200 x 10mm Low iron toughened glass	
	GS250/S	CORNER SHELF 250 x 250 x 10mm Low iron toughened glass	

FRAMELESS GLASS SHOWER COMPONENTS

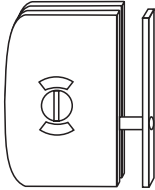
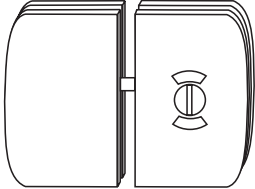
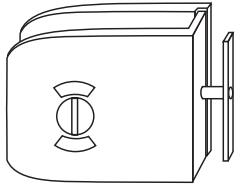
Glass Shelf Brackets

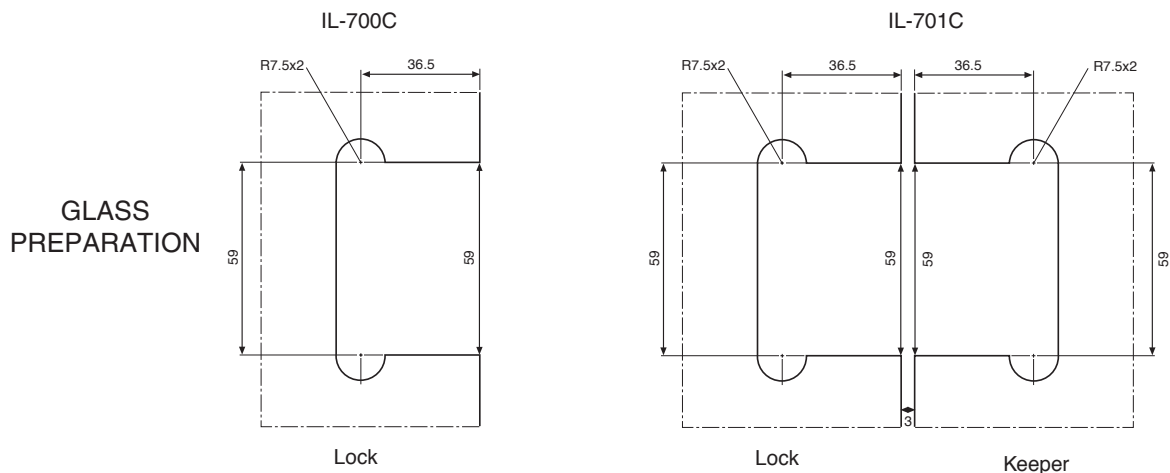
Product	Description	Code	Finish	Price
	ROUND 50mm One point fixing	SB10-R-CP For 10mm glass	Polished Chrome	
		SB6-R-CP For 6mm glass	Polished Chrome	
	SQUARE 60mm Two point fixing For 8mm & 10mm	SB10-SQ-CP	Polished Chrome	
		SB10-SQ-SC	Satin Chrome	
		SB10-SQ-MB	Matt Black	
		Other finishes available on request		

FRAMELESS GLASS SHOWER COMPONENTS

Glass Door Indicator Locks for Swing Doors

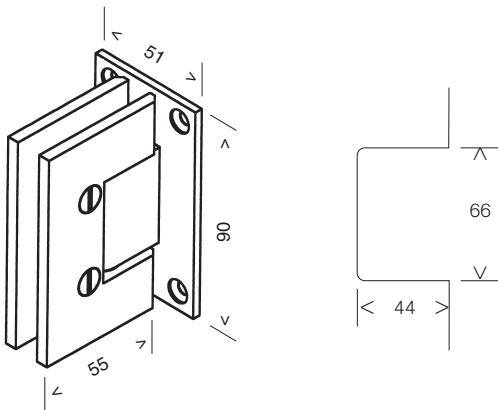
For Toilet and Bathroom Doors. To suit 8mm and 10mm glass.

Product	Code	Description	Polished Chrome	Satin Chrome
	IL700C	INDICATOR LOCK Door to Wall (Glass cut out required)		
	IL701C	INDICATOR LOCK Door to Sidepanel (Glass cut out required)		
	IL600C	INDICATOR LOCK Door to Wall (No glass cut out required)		

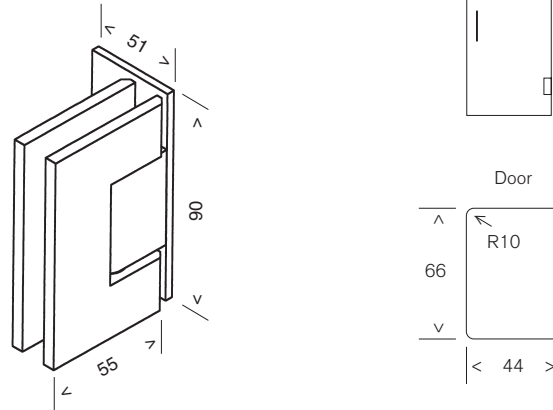


PLATINUM HINGES

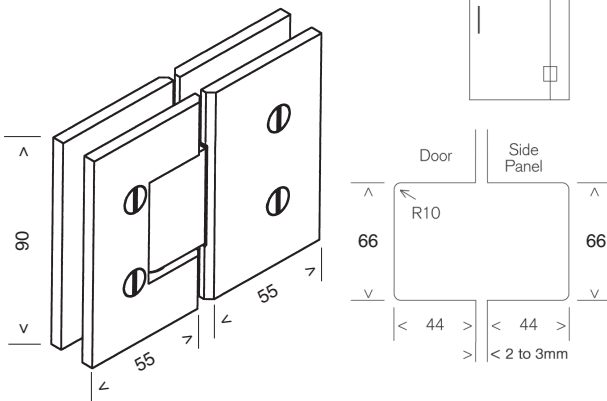
**PH1
WALL MOUNT**



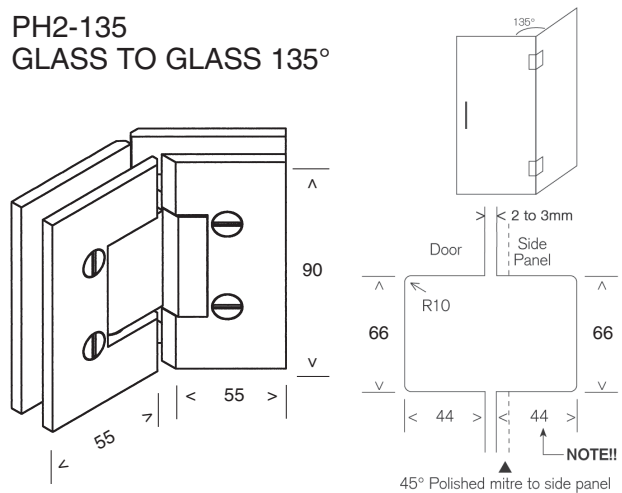
**PH1-L3
SINGLE SIDE WALL
MOUNT**



**PH2
GLASS TO GLASS INLINE**

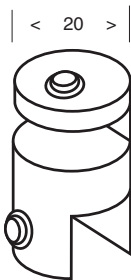


**PH2-135
GLASS TO GLASS 135°**

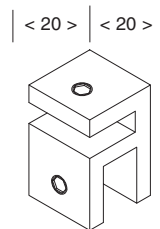


OVER PANEL CLAMPS

OP-10R



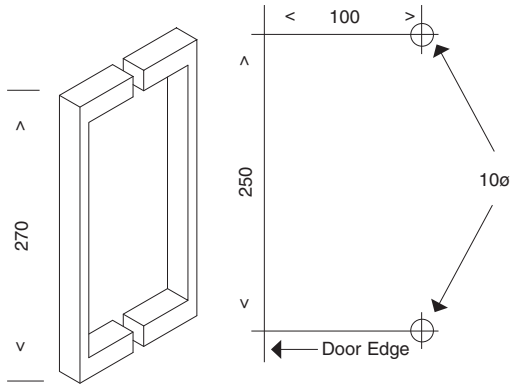
OP-10S



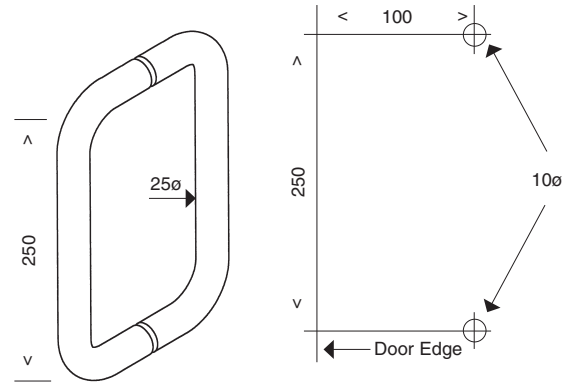
Suits 10mm shower glass to 6mm over panel.

PLATINUM HANDLES 250MM SERIES

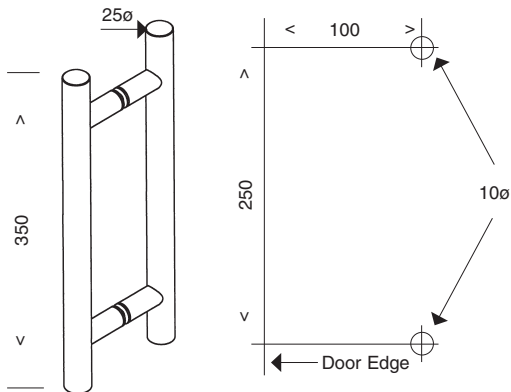
**PH-Q250
QUADRANT**



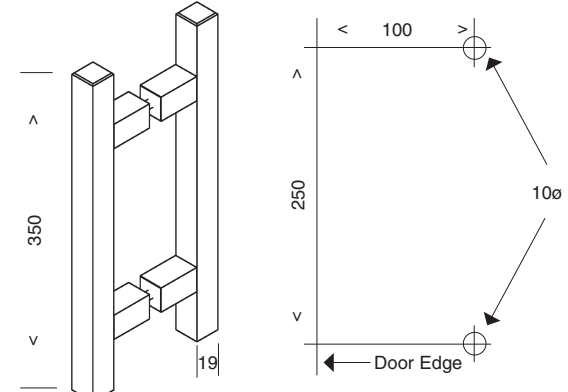
**PH-D250
DOUBLE D**



**PH-FR250
FINELINE ROUND**

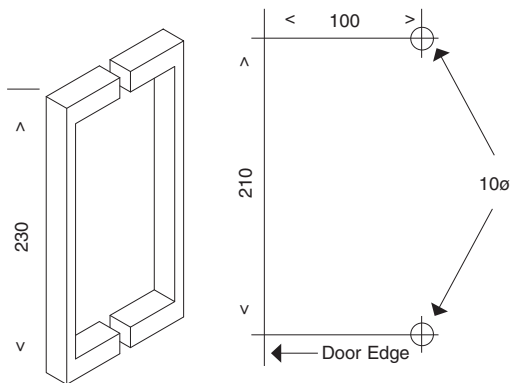


**PH-FS250
FINELINE SQUARE**



PLATINUM HANDLES 210MM SERIES

**PH-Q210
QUADRANT**



**PH-FR210
FINELINE ROUND**

