

SECTION 7: CANOPIES AND SPIDERS

INDEX

| Product | Page |
|------------------------------|-------------|
| Semi Frameless Edge Canopy | 7.1 - 7.3 |
| 444/4 Light Weight Spider | 7.4 |
| 444/4/2 Light Weight Spider | 7.5 |
| 444/2 Light Weight Spider | 7.6 |
| 444/2/1 Light Weight Spider | 7.7 |
| 443/4 Light Weight Spider | 7.8 |
| 443/2 Light Weight Spider | 7.9 |
| 443/4/2 Light Weight Spider | 7.10 |
| 443/2/1 Light Weight Spider | 7.11 |
| 445/4M Heavy Duty Spider | 7.12 |
| 445/2M Heavy Duty Spider | 7.13 |
| 445/4M/2 Heavy Duty Spider | 7.14 |
| 445/2M/1 Heavy Duty Spider | 7.15 |
| 445/4M/2Y Heavy Duty Spider | 7.16 |
| 446/4M Heavy Duty Spider | 7.17 |
| 446/2M Heavy Duty Spider | 7.18 |
| 446/4M/3 Heavy Duty Spider | 7.19 |
| 446/4M/2 Heavy Duty Spider | 7.20 |
| 446/2M/1 Heavy Duty Spider | 7.21 |
| 446/4M/90° Heavy Duty Spider | 7.22 |
| 446/2M/90° Heavy Duty Spider | 7.23 |
| Stand Off Spider | 7.24 |
| Special Spider Series | 7.25 - 7.26 |

CANOPIES AND SPIDERS

Semi Frameless Edge Canopy

Request the Edge Canopy technical brochure for specifications and product details to ensure you order the correct components for your project.

Note: All product is powder coated to order. If orders under 20 lineal metres of product, a short run powder coat surcharge will apply.

Non standard colours from the Juralco colour range will have a surcharge P.O.A.
Mill product is less 10% from the Platinum price list.

Posts can be made to order P.O.A. For standard powder coat colours see page 6.10.
Mill product is less 10% off the Platinum price list.



CANOPIES AND SPIDERS

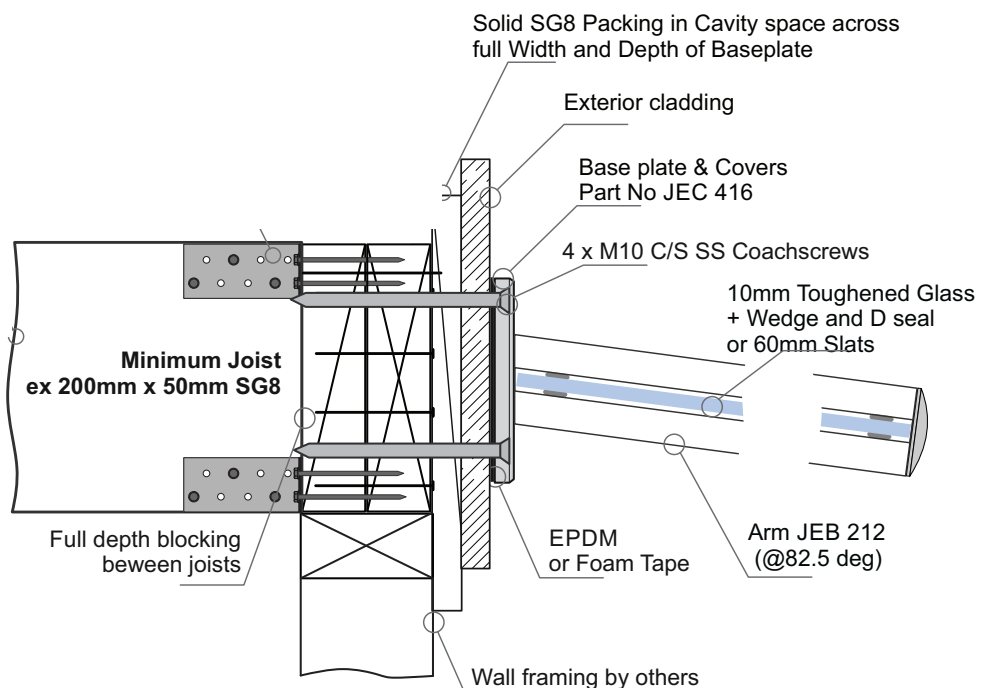
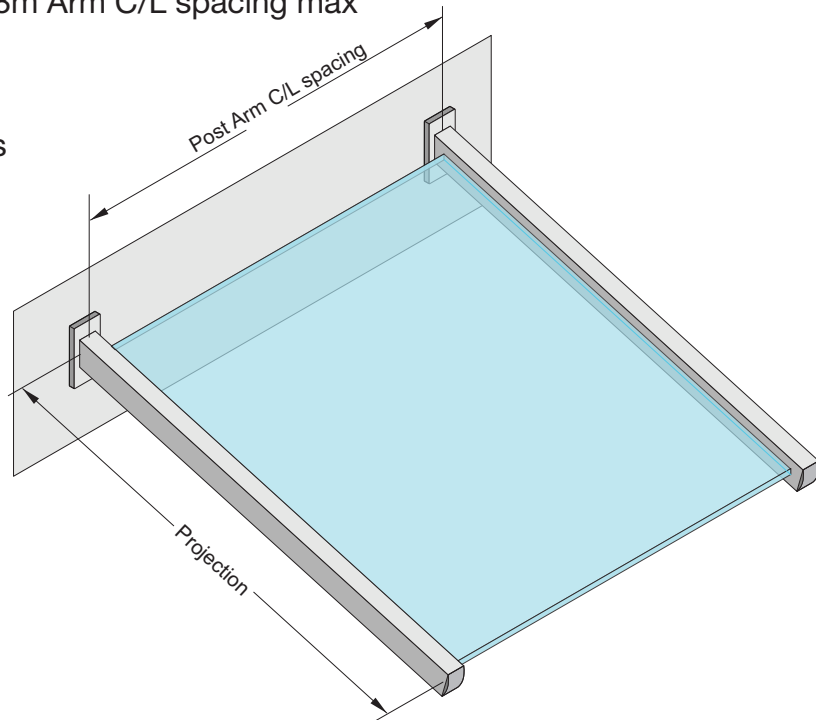
Semi Frameless Edge Canopy

Projection, Arm Spacing

Sizing, 1.0m Projection = 1.65m Arm C/L spacing max.

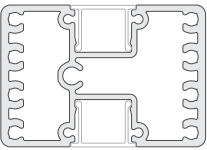
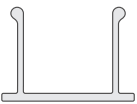
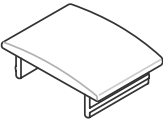
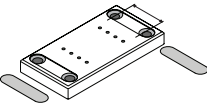
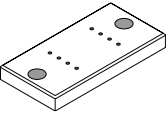
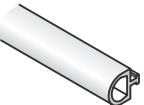
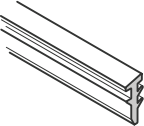
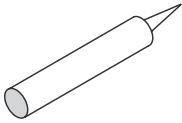
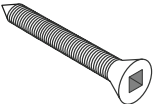
1.2m Projection = 1.38m Arm C/L spacing max

Can be multiple arms
at these spacings



CANOPIES AND SPIDERS

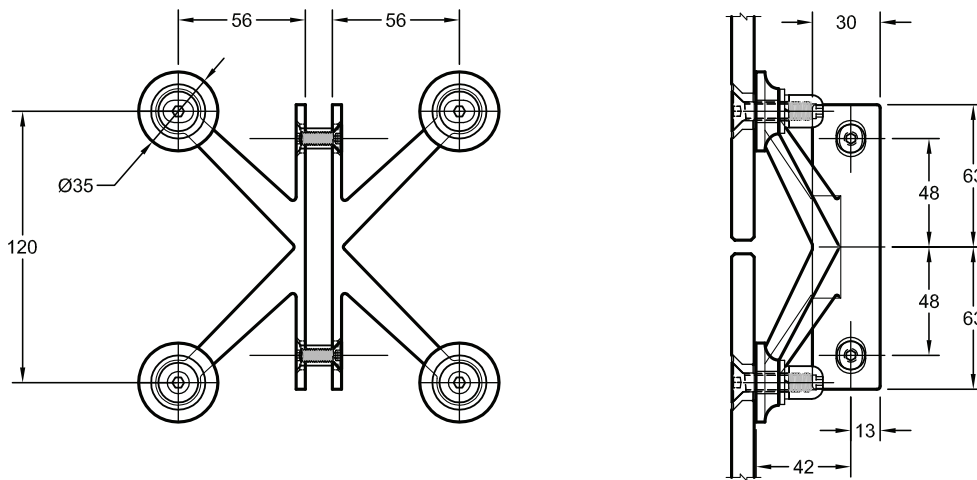
Semi Frameless Edge Canopy Components

| Product | Code | Description | Price |
|---|-------------------|---|-------|
|  | JEB/212/5-PC | PC EDGE CANOPY POST 5000mm | |
| | JEB/212/2.5-PC | PC EDGE CANOPY POST 2500mm | |
|  | JEB/206/5.8-PC | PC INFILL CLIP 5800mm | |
| | JEB/206/2.9-PC | PC INFILL CLIP 2900mm | |
|  | JEC20-PC | PC EDGE CANOPY TOP CAP 5 x 45mm | |
|  | JEC416-PC | PC EDGE CANOPY 4 HOLE BASE PLATE & COVERS 150 x 75 x 14mm | |
|  | JEC417-PC | PC EDGE CANOPY 2 HOLE BASE PLATE 150 x 75 x 14mm | |
|  | JECDSEAL | BLACK GLAZING D SEAL per metre | |
|  | JEC/W10/WEDGE | BLACK GLAZING WEDGE For 10mm glass, per metre | |
|  | SIKA-SG | SIKA SUPERGRIP 2HR ADHESIVE | |
|  | JVBHTSCREW /50X10 | BASE PLATE TO POST CSK SQ DRIVE HIGH TENSILE | |

CANOPIES AND SPIDERS

Light Weight Spider

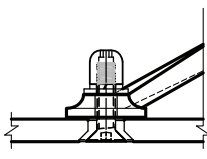
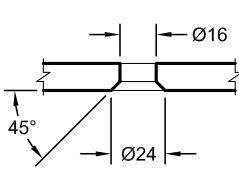
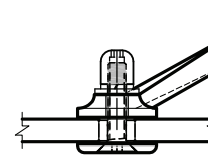
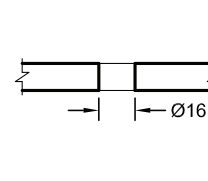
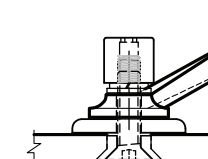
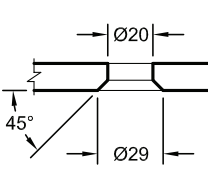
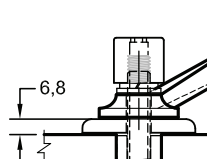
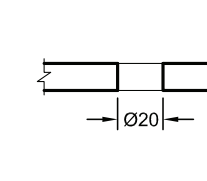
| Code | Description | Price |
|-------|---|-------|
| 444/4 | Specify Glass Thickness and Fixing Type Specify finish 316SSS or PSS | P.O.A |



GLASS FIXINGS

STANDARD

3 OPTIONS

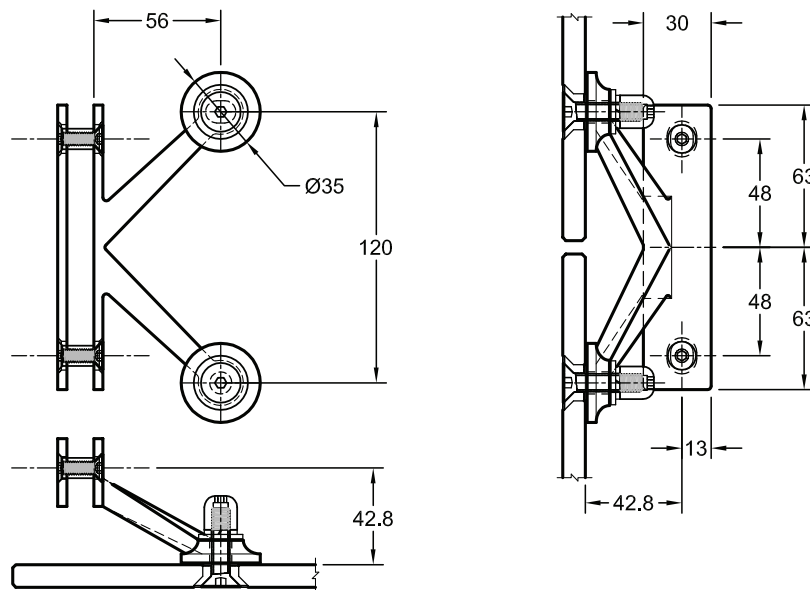
| | | | |
|--|---|---|--|
|  <p>M8 Csk SCREW</p>  <p>GLASS HOLE DETAIL</p> |  <p>M8 Csk SCREW WITH Ra DISC</p>  <p>GLASS HOLE DETAIL</p> |  <p>M10 Csk SCREW</p>  <p>GLASS HOLE DETAIL</p> |  <p>M10 Csk SCREW WITH Ra DISC</p>  <p>GLASS HOLE DETAIL</p> |
|--|---|---|--|

CANOPIES AND SPIDERS

Light Weight Spider

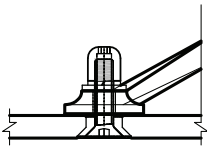
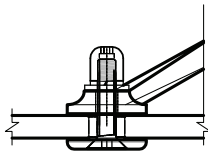
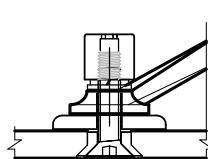
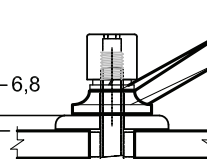
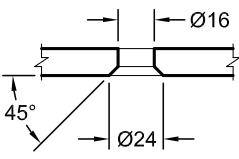
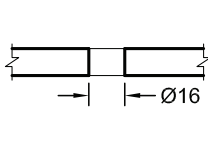
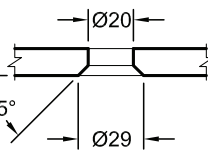
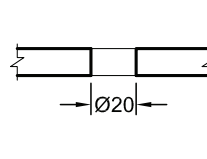
| Code | Description | Price |
|---------|---|-------|
| 444/4/2 | Specify Glass Thickness and Fixing Type Specify finish 316SSS or PSS | P.O.A |

PLEASE NOTE: Item not readily stocked. Allow lead time for delivery of parts.



GLASS FASTENERS
STANDARD

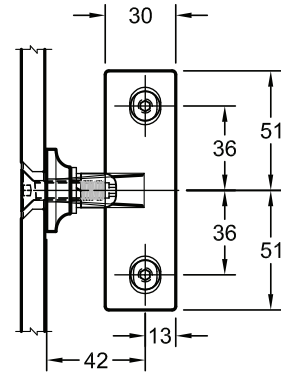
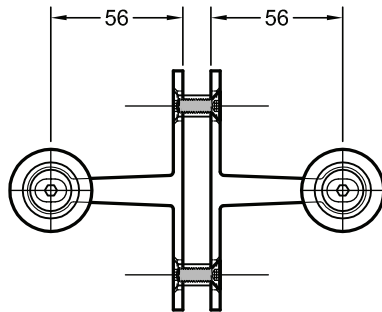
3 OPTIONS

| | | | |
|--|--|---|---|
|  <p>M8 Csk SCREW</p> |  <p>M8 Csk SCREW WITH Ra DISC</p> |  <p>M10 Csk SCREW</p> |  <p>M10 Csk SCREW WITH Ra DISC</p> |
|  <p>GLASS HOLE DETAIL</p> |  <p>GLASS HOLE DETAIL</p> |  <p>GLASS HOLE DETAIL</p> |  <p>GLASS HOLE DETAIL</p> |

CANOPIES AND SPIDERS

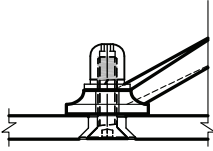
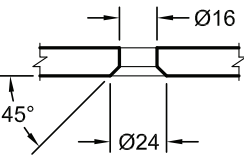
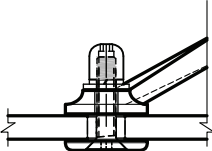
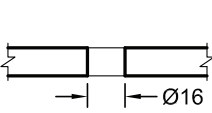
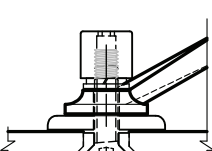
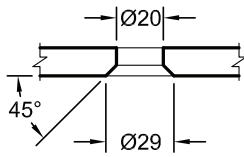
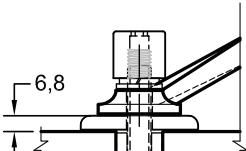
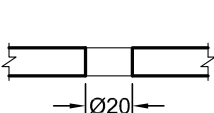
Light Weight Spider

| Code | Description | Price |
|-------|---|-------|
| 444/2 | Specify Glass Thickness and Fixing Type Specify finish 316SSS or PSS | P.O.A |



GLASS FASTENERS STANDARD

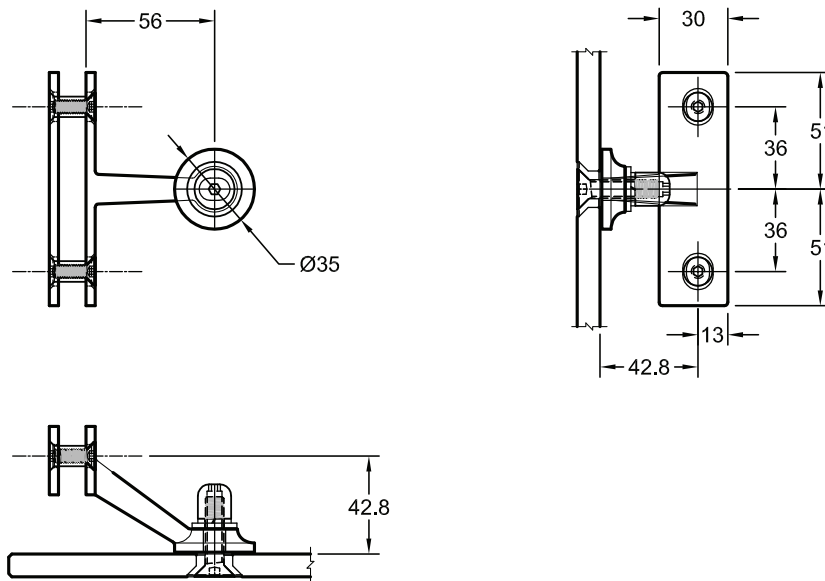
3 OPTIONS

| | | | |
|--|---|---|--|
|  <p>M8 Csk SCREW</p>  <p>GLASS HOLE DETAIL</p> |  <p>M8 Csk SCREW WITH Ra DISC</p>  <p>GLASS HOLE DETAIL</p> |  <p>M10 Csk SCREW</p>  <p>GLASS HOLE DETAIL</p> |  <p>M10 Csk SCREW WITH Ra DISC</p>  <p>GLASS HOLE DETAIL</p> |
|--|---|---|--|

CANOPIES AND SPIDERS

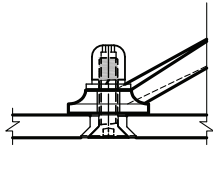
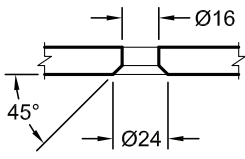
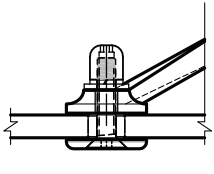
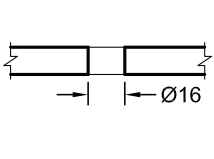
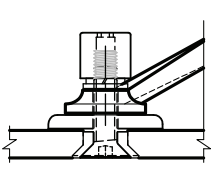
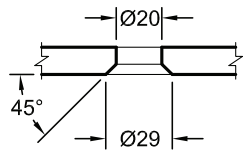
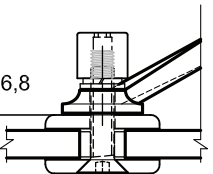
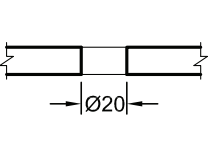
Light Weight Spider

| Code | Description | Price |
|---------|---|-------|
| 444/2/1 | Specify Glass Thickness and Fixing Type Specify finish 316SSS or PSS | P.O.A |



GLASS FASTENERS STANDARD

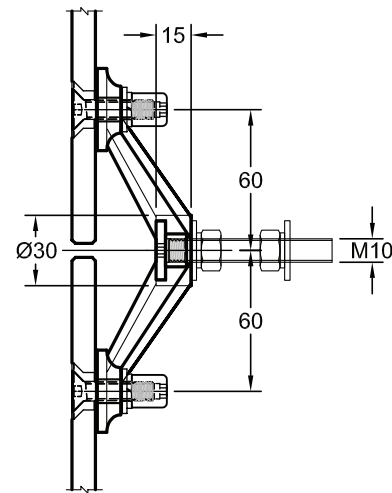
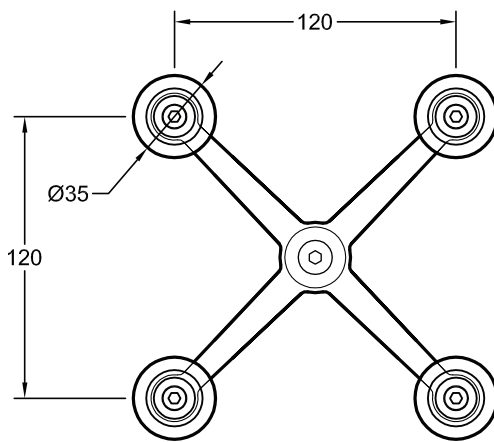
3 OPTIONS

| | | | |
|--|---|---|--|
|  <p>M8 Csk SCREW</p>  <p>GLASS HOLE DETAIL</p> |  <p>M8 Csk SCREW WITH Ra DISC</p>  <p>GLASS HOLE DETAIL</p> |  <p>M10 Csk SCREW</p>  <p>GLASS HOLE DETAIL</p> |  <p>M10 Csk SCREW WITH Ra DISC</p>  <p>GLASS HOLE DETAIL</p> |
|--|---|---|--|

CANOPIES AND SPIDERS

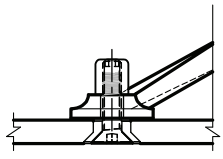
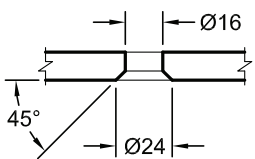
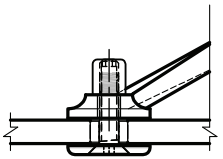
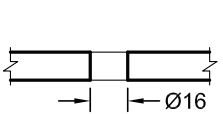
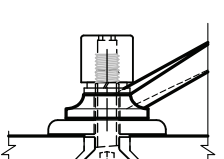
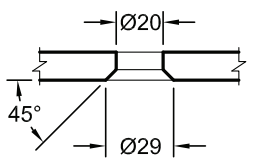
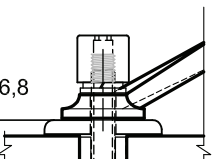
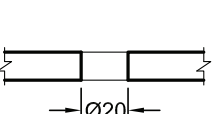
Light Weight Spider

| Code | Description | Price |
|-------|---|-------|
| 443/4 | Specify Glass Thickness and Fixing Type Specify finish 316SSS or PSS | P.O.A |



GLASS FASTENERS STANDARD

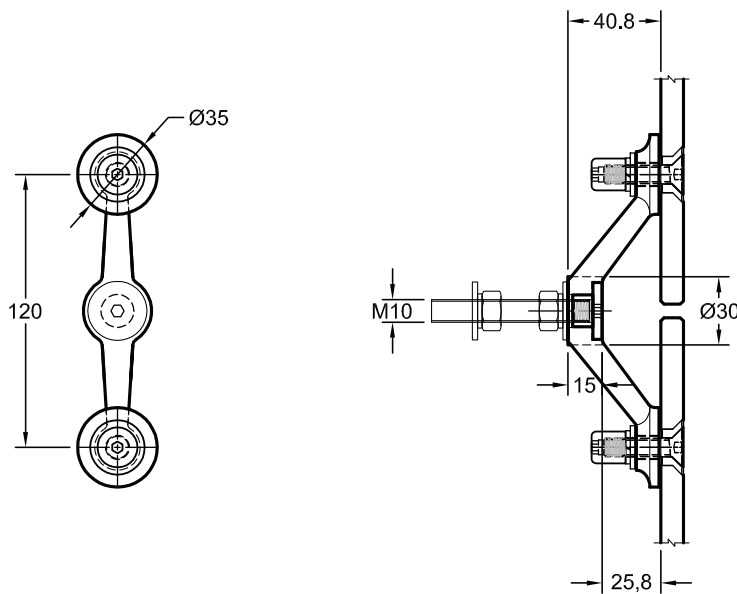
3 OPTIONS

| | | | |
|--|---|---|--|
|  <p>M8 Csk SCREW</p>  <p>GLASS HOLE DETAIL</p> |  <p>M8 Csk SCREW WITH Ra DISC</p>  <p>GLASS HOLE DETAIL</p> |  <p>M10 Csk SCREW</p>  <p>GLASS HOLE DETAIL</p> |  <p>M10 Csk SCREW WITH Ra DISC</p>  <p>GLASS HOLE DETAIL</p> |
|--|---|---|--|

CANOPIES AND SPIDERS

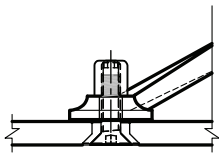
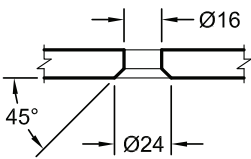
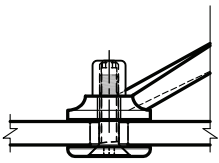
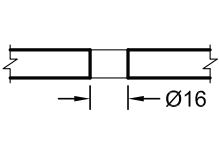
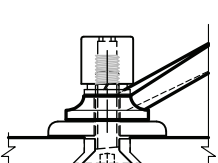
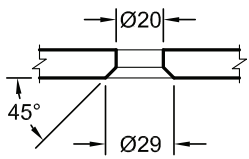
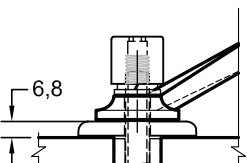
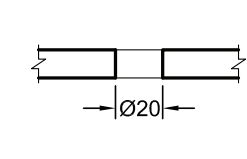
Light Weight Spider

| Code | Description | Price |
|-------|---|-------|
| 443/2 | Specify Glass Thickness and Fixing Type Specify finish 316SSS or PSS | P.O.A |



GLASS FASTENERS STANDARD

3 OPTIONS

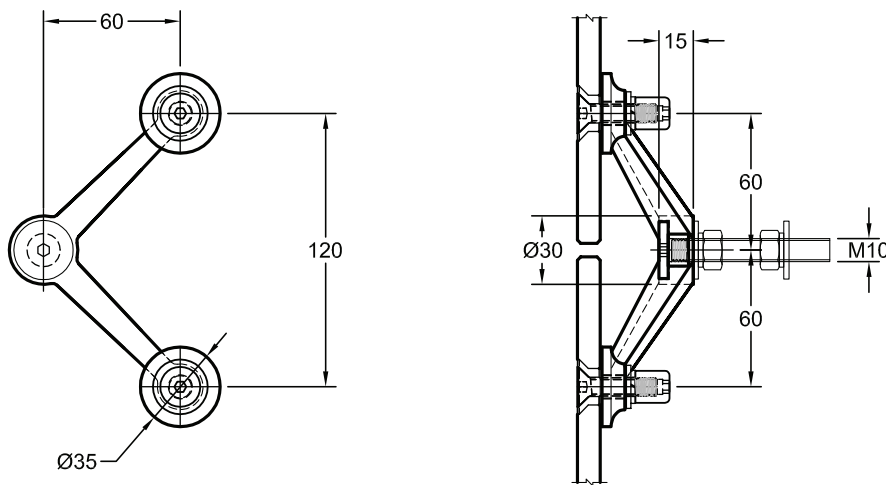
| | | | |
|--|---|---|--|
|  <p>M8 Csk SCREW</p>  <p>GLASS HOLE DETAIL</p> |  <p>M8 Csk SCREW WITH Ra DISC</p>  <p>GLASS HOLE DETAIL</p> |  <p>M10 Csk SCREW</p>  <p>GLASS HOLE DETAIL</p> |  <p>M10 Csk SCREW WITH Ra DISC</p>  <p>GLASS HOLE DETAIL</p> |
|--|---|---|--|

CANOPIES AND SPIDERS

Light Weight Spider

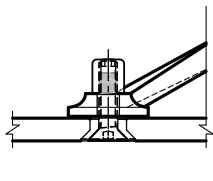
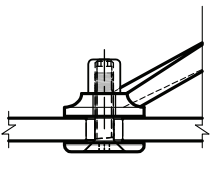
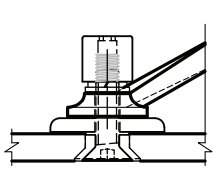
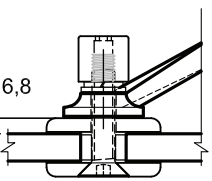
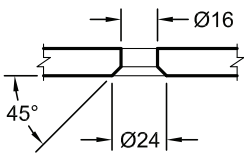
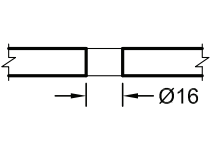
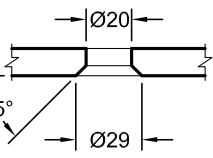
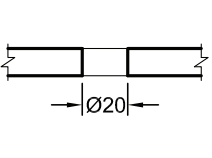
| Code | Description | Price |
|---------|---|-------|
| 443/4/2 | Specify Glass Thickness and Fixing Type Specify finish 316SSS or PSS | P.O.A |

PLEASE NOTE: Item not readily stocked. Allow lead time for delivery of parts.



GLASS FASTENERS STANDARD

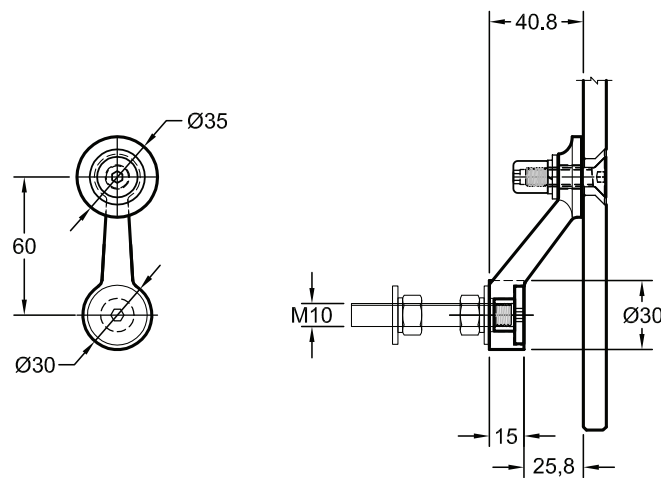
3 OPTIONS

| | | | |
|---|---|--|---|
|  |  |  |  |
| M8 Csk SCREW | M8 Csk SCREW WITH Ra DISC | M10 Csk SCREW | M10 Csk SCREW WITH Ra DISC |
|  |  |  |  |
| GLASS HOLE DETAIL | GLASS HOLE DETAIL | GLASS HOLE DETAIL | GLASS HOLE DETAIL |

CANOPIES AND SPIDERS

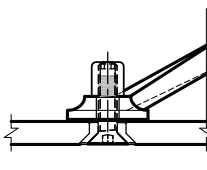
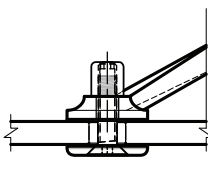
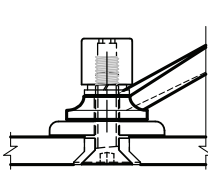
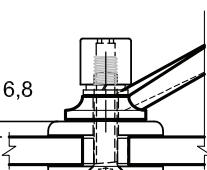
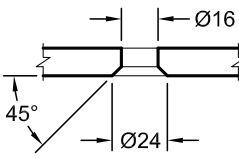
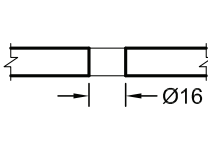
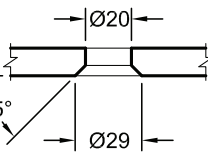
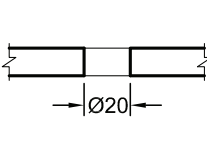
Light Weight Spider

| Code | Description | Price |
|---------|---|-------|
| 443/2/1 | Specify Glass Thickness and Fixing Type Specify finish 316SSS or PSS | P.O.A |



GLASS FASTENERS STANDARD

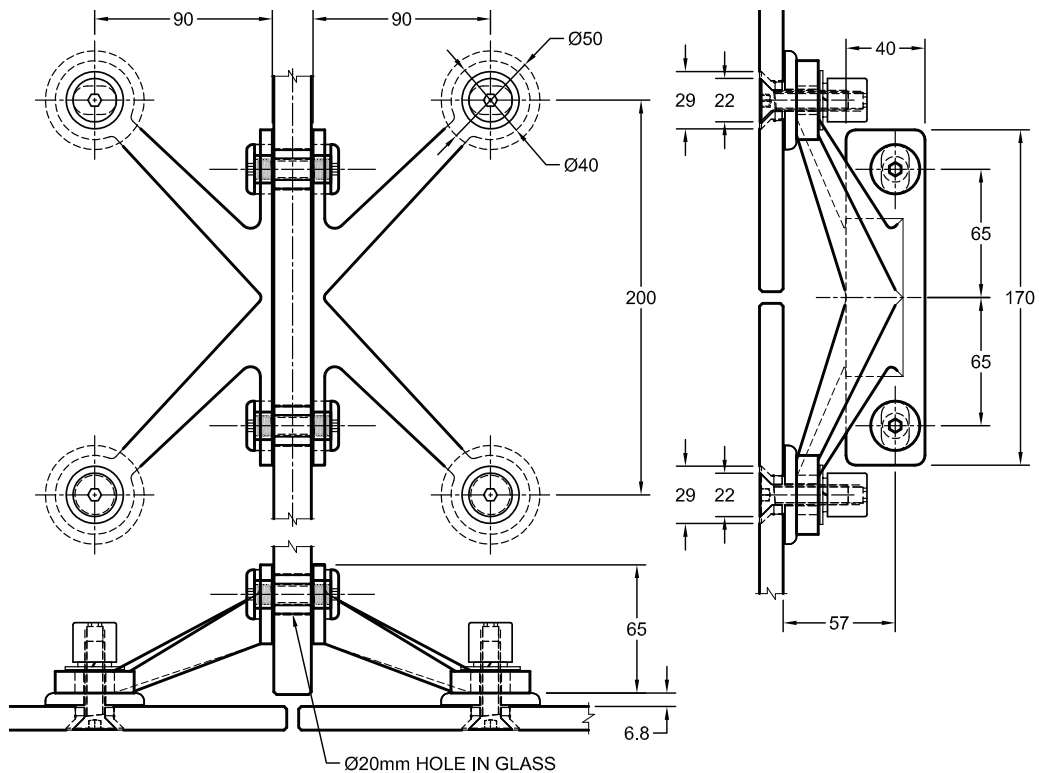
3 OPTIONS

| | | | |
|--|--|---|---|
|  <p>M8 Csk SCREW</p> |  <p>M8 Csk SCREW WITH Ra DISC</p> |  <p>M10 Csk SCREW</p> |  <p>M10 Csk SCREW WITH Ra DISC</p> |
|  <p>GLASS HOLE DETAIL</p> |  <p>GLASS HOLE DETAIL</p> |  <p>GLASS HOLE DETAIL</p> |  <p>GLASS HOLE DETAIL</p> |

CANOPIES AND SPIDERS

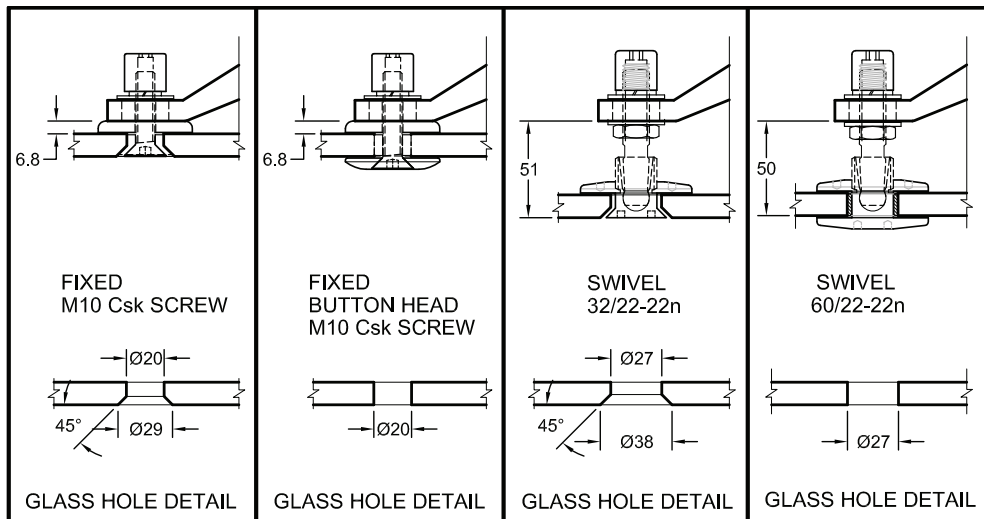
Heavy Duty Spider

| Code | Description | Price |
|--------|---|-------|
| 445/4M | Specify Glass Thickness and Fixing Type Specify finish 316SSS or PSS | P.O.A |



GLASS FIXING OPTIONS
STANDARD

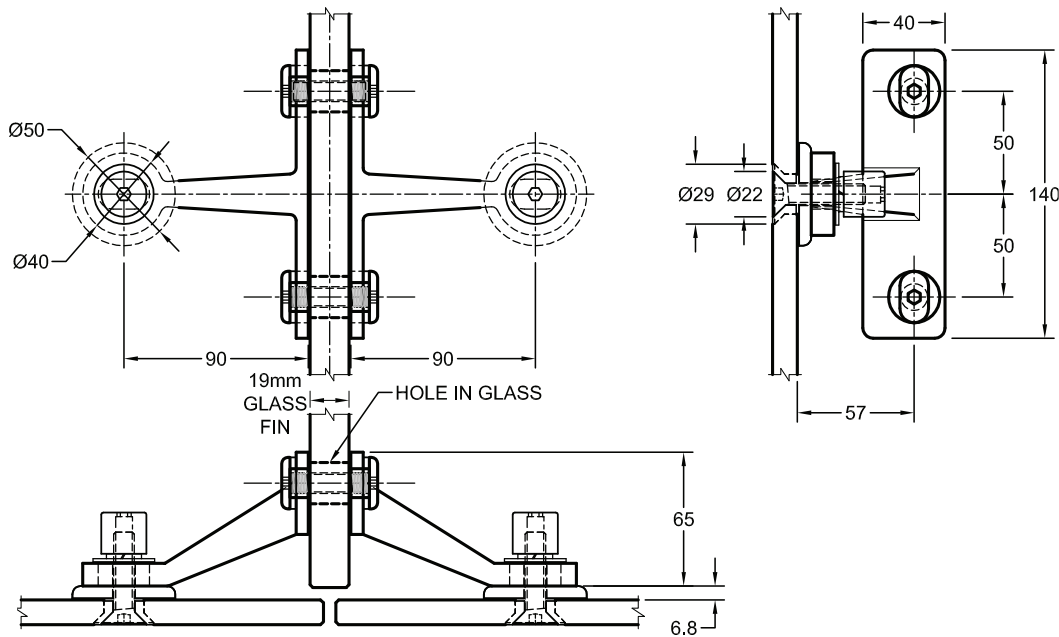
3 OPTIONS



CANOPIES AND SPIDERS

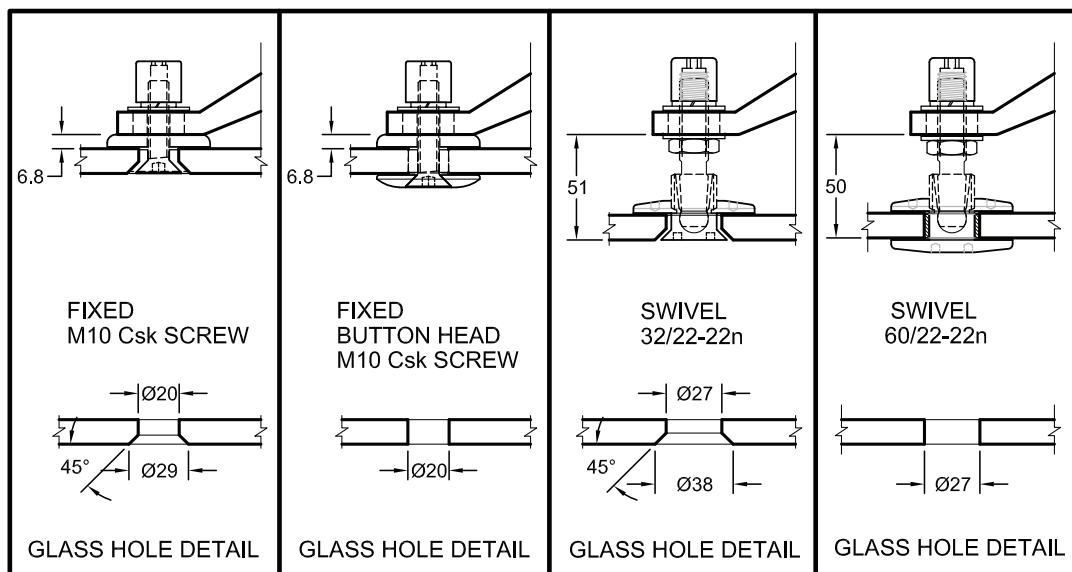
Heavy Duty Spider

| Code | Description | Price |
|--------|---|-------|
| 445/2M | Specify Glass Thickness and Fixing Type Specify finish 316SSS or PSS | P.O.A |



GLASS FASTENERS STANDARD

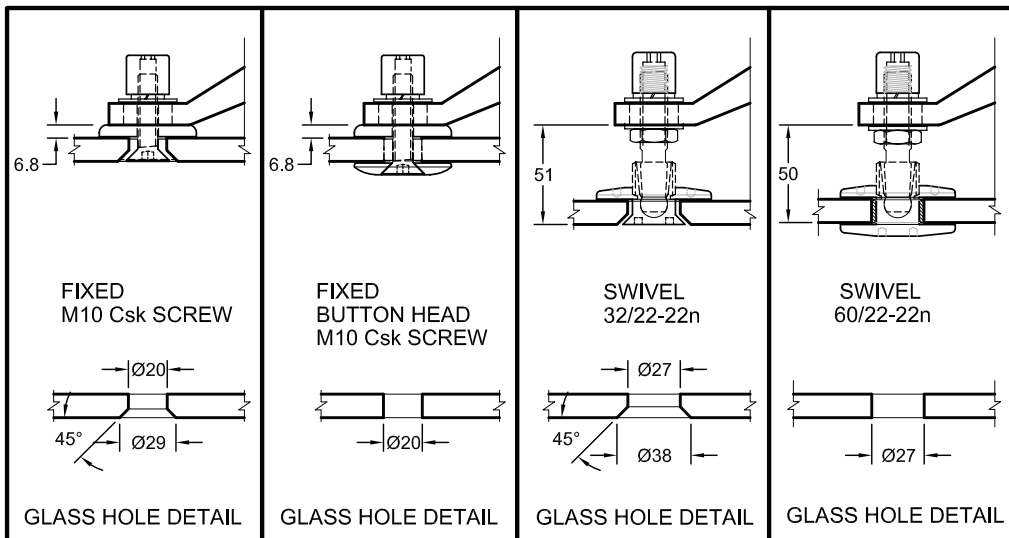
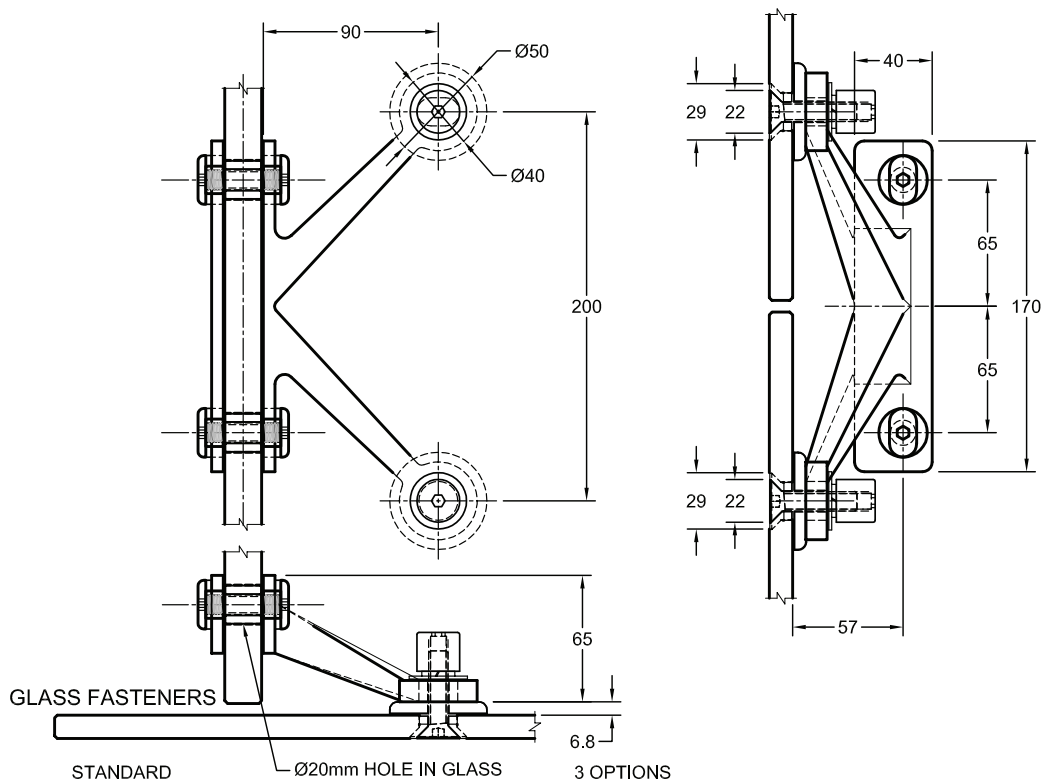
3 OPTIONS



CANOPIES AND SPIDERS

Heavy Duty Spider

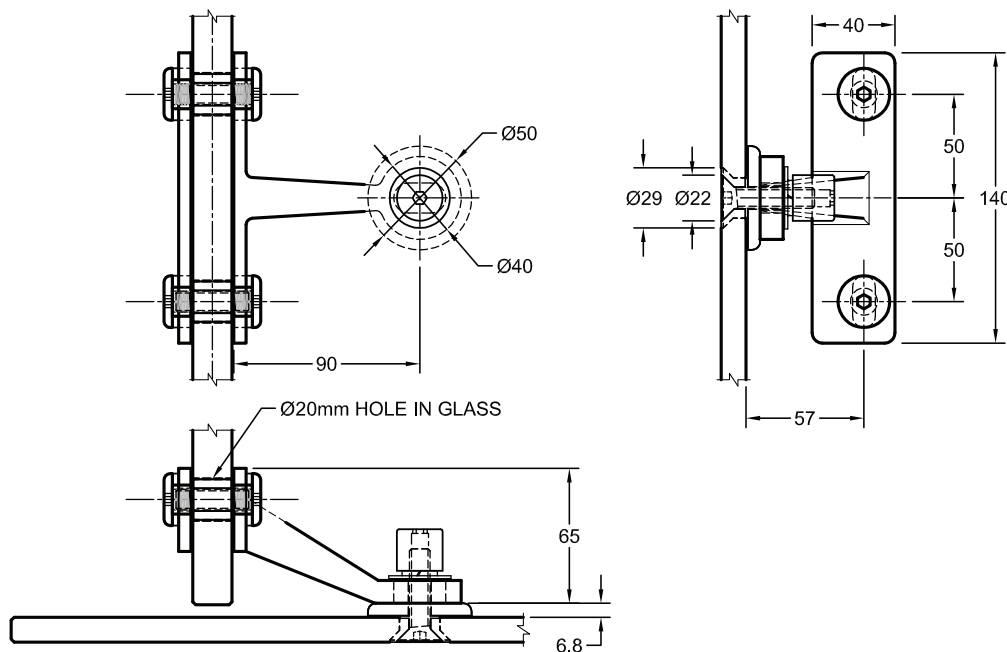
| Code | Description | Price |
|----------|---|-------|
| 445/4M/2 | Specify Glass Thickness and Fixing Type Specify finish 316SSS or PSS | P.O.A |



CANOPIES AND SPIDERS

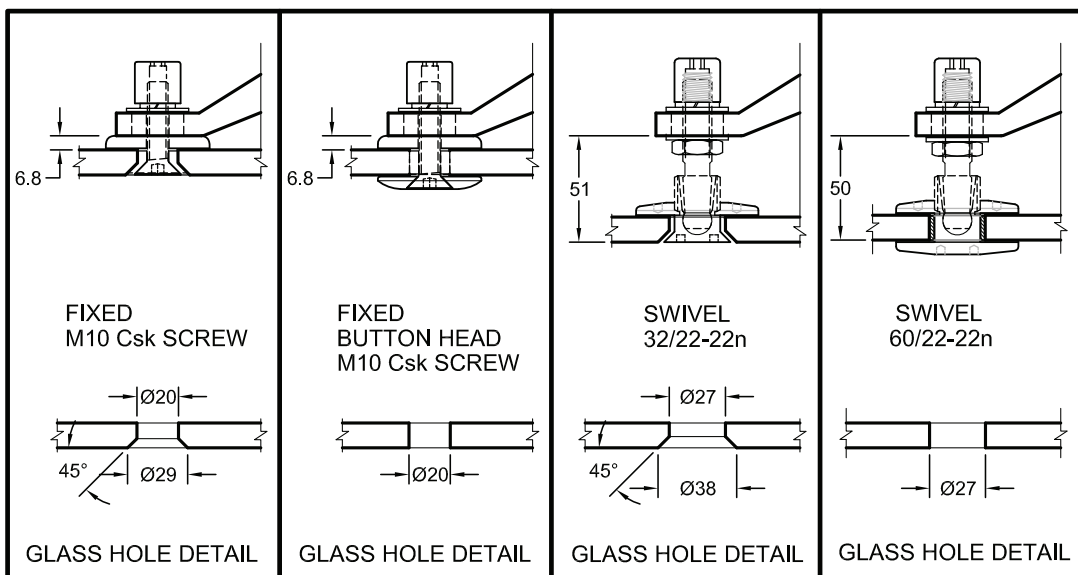
Heavy Duty Spider

| Code | Description | Price |
|----------|---|-------|
| 445/2M/1 | Specify Glass Thickness and Fixing Type Specify finish 316SSS or PSS | P.O.A |



GLASS FASTENERS
STANDARD

3 OPTIONS

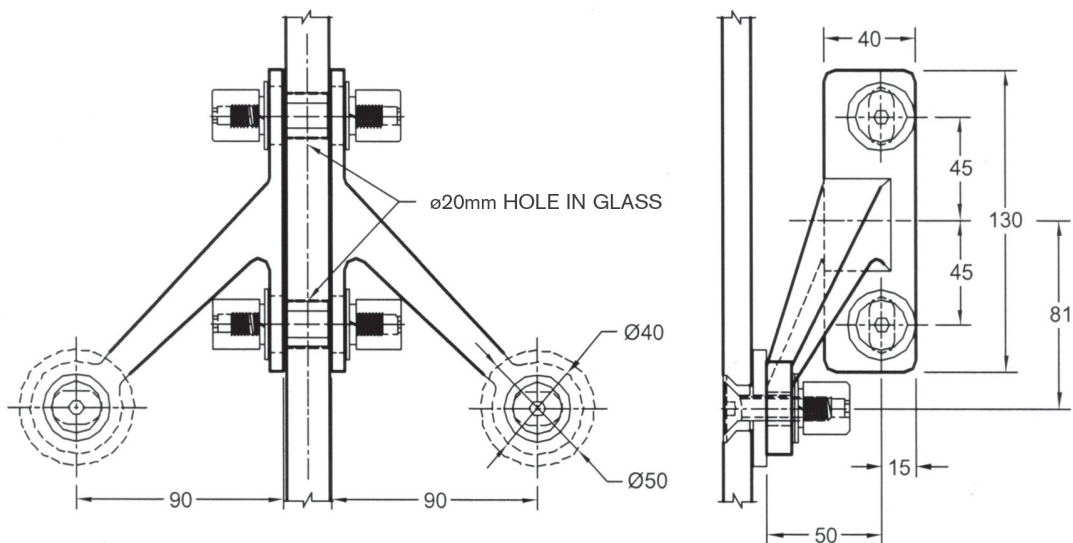


CANOPIES AND SPIDERS

Heavy Duty Spider

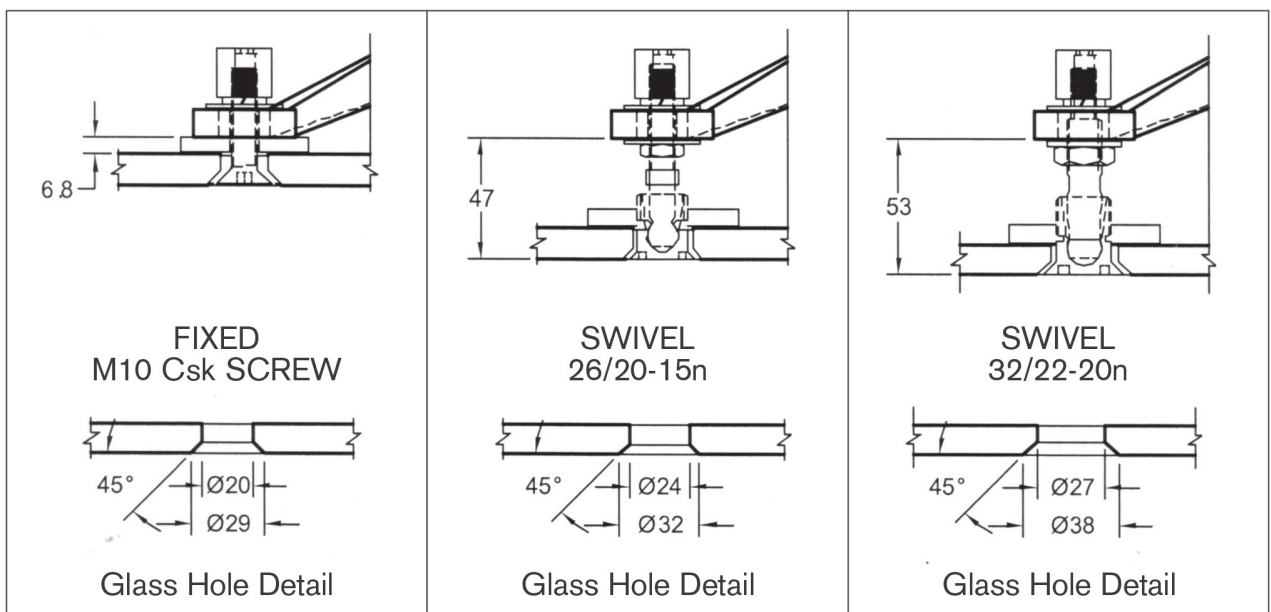
| Code | Description | Price |
|-----------|---|-------|
| 445/4M/2Y | Specify Glass Thickness and Fixing Type Specify finish 316SSS or PSS | P.O.A |

PLEASE NOTE: Item not readily stocked. Allow lead time for delivery of parts.



Fastener Types

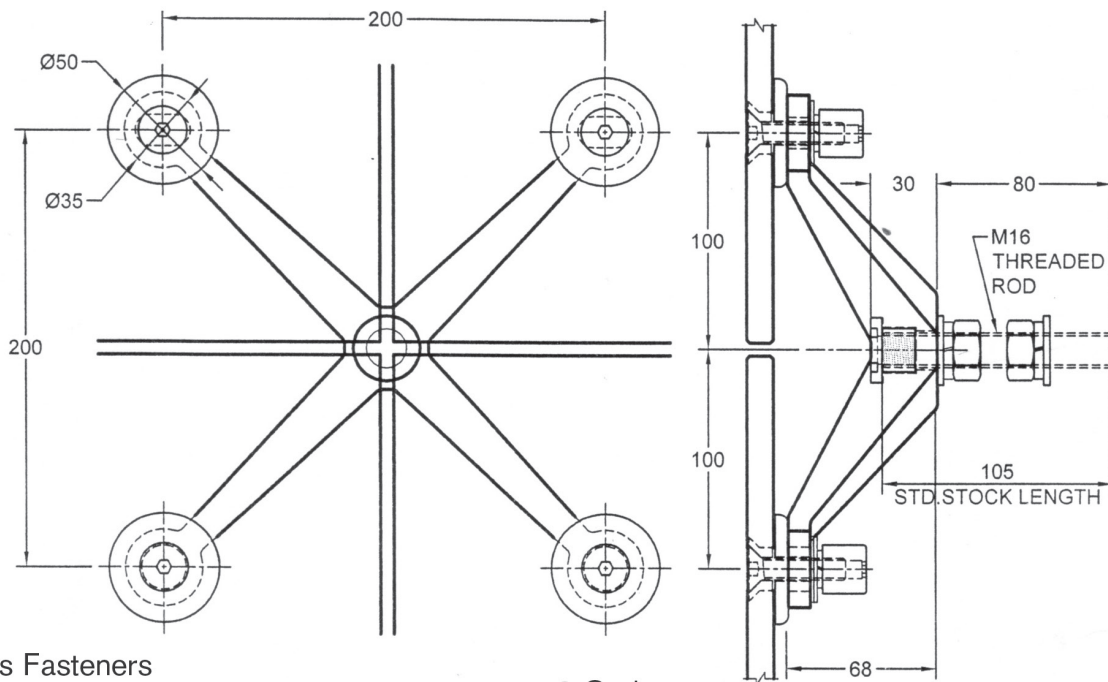
3 Options



CANOPIES AND SPIDERS

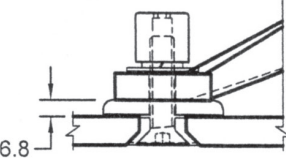
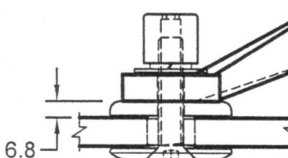
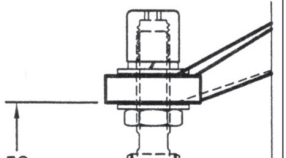
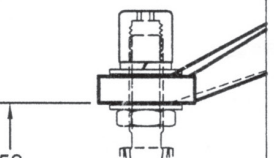
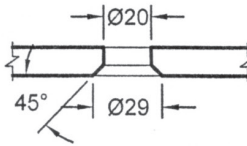
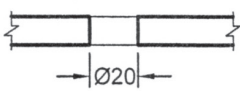
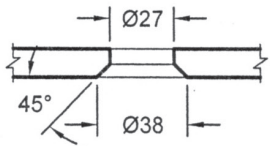
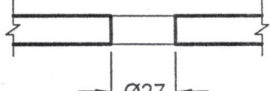
Heavy Duty Spider

| Code | Description | Price |
|--------|---|-------|
| 446/4M | Specify Glass Thickness and Fixing Type Specify finish 316SSS or PSS | P.O.A |



Glass Fasteners
Standard

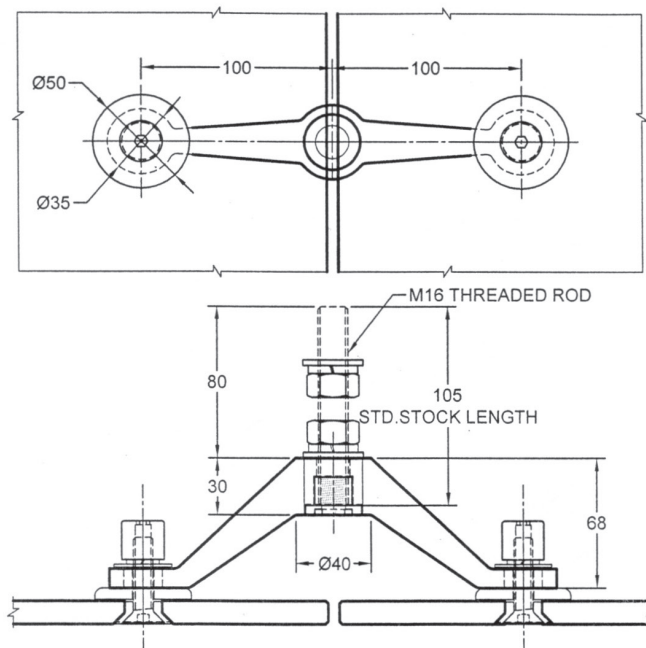
3 Options

| | | | |
|--|--|--|---|
|  <p>6.8</p> |  <p>6.8</p> |  <p>52</p> |  <p>50</p> |
| <p>FIXED M10 Csk SCREW</p>  <p>45° $\varnothing 29$</p> | <p>FIXED M10 Csk SCREW Ra DISC</p>  <p>$\varnothing 20$</p> | <p>SWIVEL 32/22-22n</p>  <p>45° $\varnothing 38$</p> | <p>SWIVEL 60/22-22n</p>  <p>$\varnothing 27$</p> |
| Glass Hole Detail | Glass Hole Detail | Glass Hole Detail | Glass Hole Detail |

CANOPIES AND SPIDERS

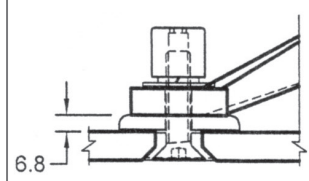
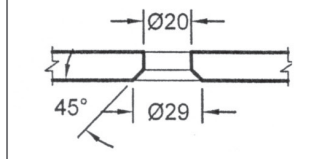
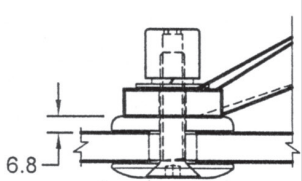
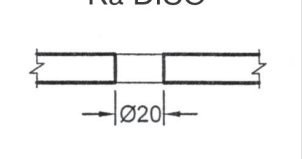
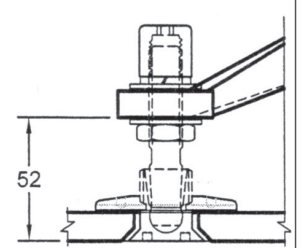
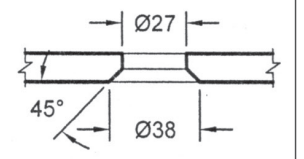
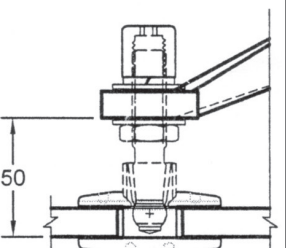
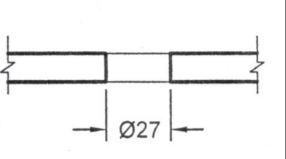
Heavy Duty Spider

| Code | Description | Price |
|--------|---|-------|
| 446/2M | Specify Glass Thickness and Fixing Type Specify finish 316SSS or PSS | P.O.A |



Glass Fasteners
Standard

3 Options

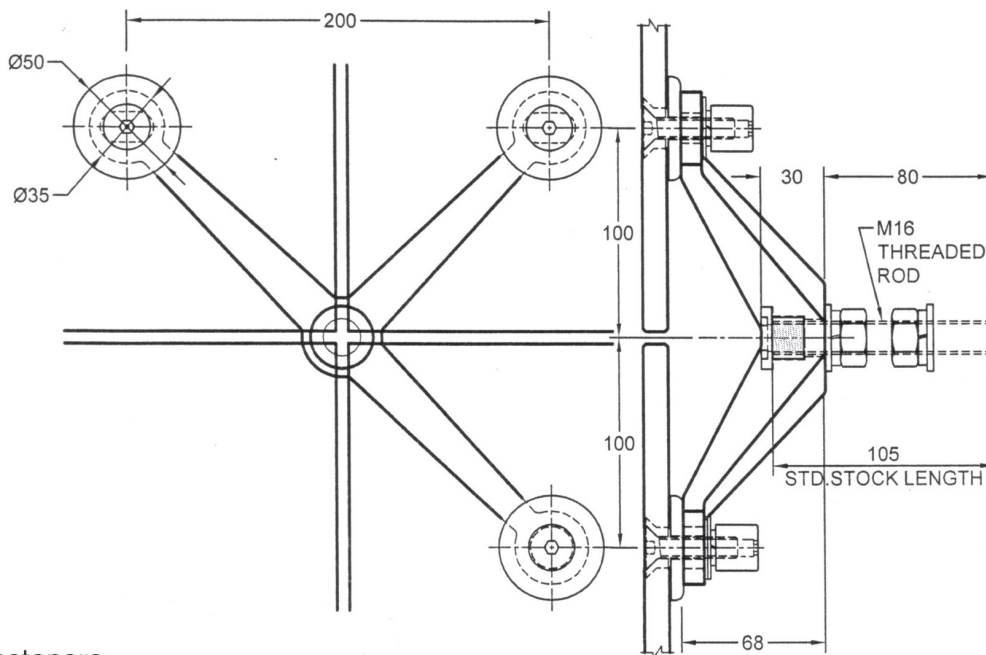
| | | | |
|---|---|---|---|
|  <p>6.8</p> <p>FIXED M10 Csk SCREW</p>  <p>Glass Hole Detail</p> |  <p>6.8</p> <p>FIXED M10 Csk SCREW Ra DISC</p>  <p>Glass Hole Detail</p> |  <p>52</p> <p>SWIVEL 32/22-22n</p>  <p>Glass Hole Detail</p> |  <p>50</p> <p>SWIVEL 60/22-22n</p>  <p>Glass Hole Detail</p> |
|---|---|---|---|

CANOPIES AND SPIDERS

Heavy Duty Spider

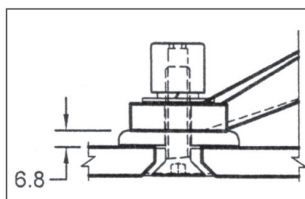
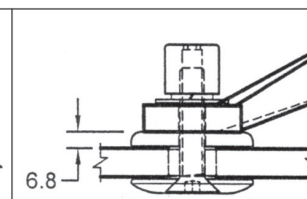
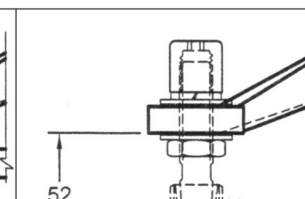
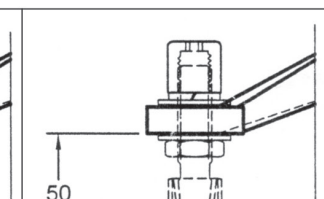
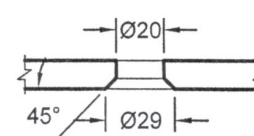
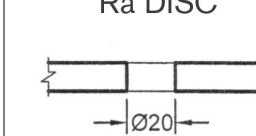
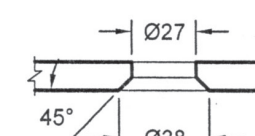
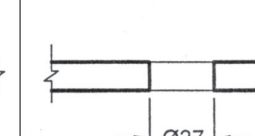
| Code | Description | Price |
|----------|---|-------|
| 446/4M/3 | Specify Glass Thickness and Fixing Type Specify finish 316SSS or PSS | P.O.A |

PLEASE NOTE: Item not readily stocked. Allow lead time for delivery of parts.



Glass Fasteners
Standard

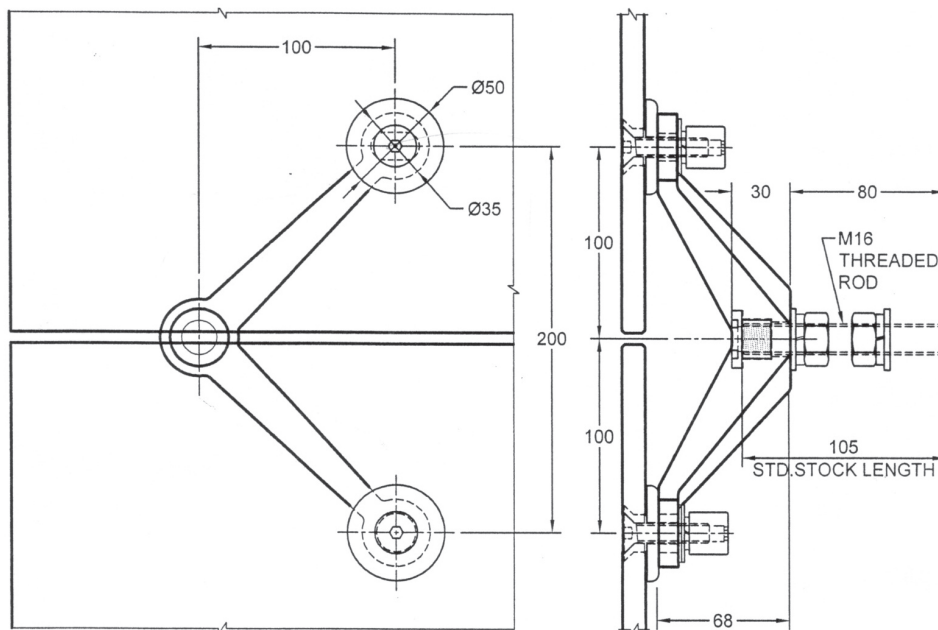
3 Options

| | | | |
|--|--|--|---|
|  <p>6.8</p> |  <p>6.8</p> |  <p>52</p> |  <p>50</p> |
| <p>FIXED M10 Csk SCREW</p>  <p>45° Ø29</p> | <p>FIXED M10 Csk SCREW Ra DISC</p>  <p>Ø20</p> | <p>SWIVEL 32/22-22n</p>  <p>45° Ø38</p> | <p>SWIVEL 60/22-22n</p>  <p>Ø27</p> |
| Glass Hole Detail | Glass Hole Detail | Glass Hole Detail | Glass Hole Detail |

CANOPIES AND SPIDERS

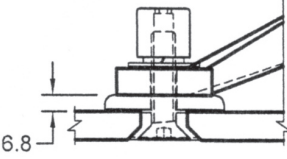
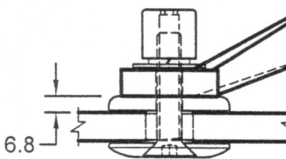
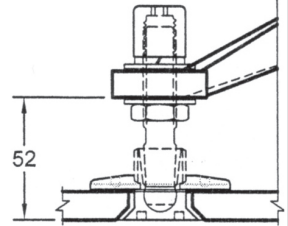
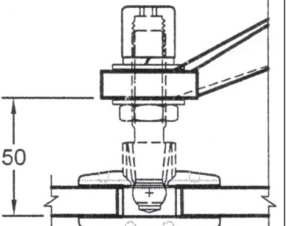
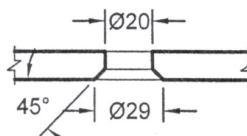
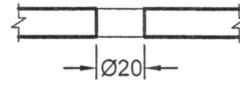
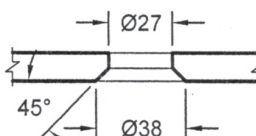
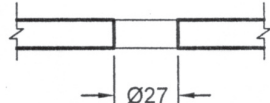
Heavy Duty Spider

| Code | Description | Price |
|----------|---|-------|
| 446/4M/2 | Specify Glass Thickness and Fixing Type Specify finish 316SSS or PSS | P.O.A |



Glass Fasteners
Standard

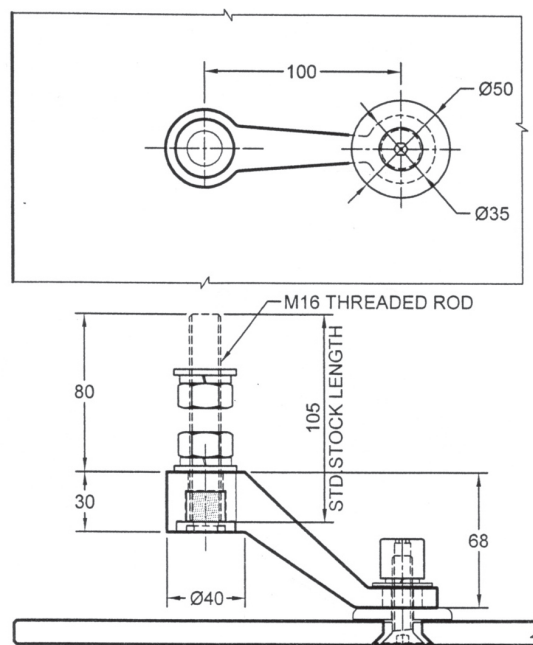
3 Options

| | | | |
|--|--|--|---|
|  <p>6.8</p> |  <p>6.8</p> |  <p>52</p> |  <p>50</p> |
| <p>FIXED M10 Csk SCREW</p>  <p>45° $\varnothing 29$</p> | <p>FIXED M10 Csk SCREW Ra DISC</p>  <p>$\varnothing 20$</p> | <p>SWIVEL 32/22-22n</p>  <p>45° $\varnothing 38$</p> | <p>SWIVEL 60/22-22n</p>  <p>$\varnothing 27$</p> |
| Glass Hole Detail | Glass Hole Detail | Glass Hole Detail | Glass Hole Detail |

CANOPIES AND SPIDERS

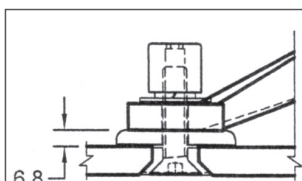
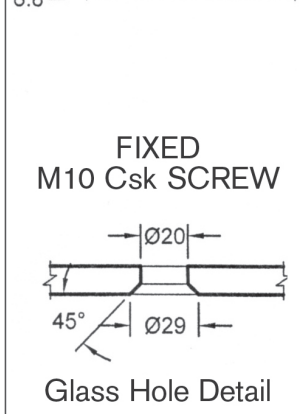
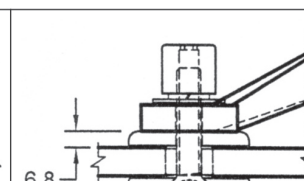
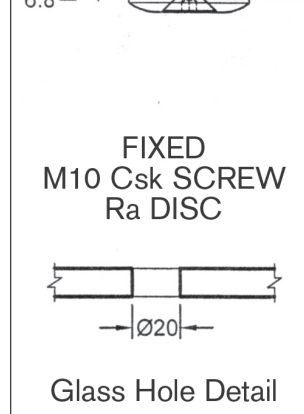
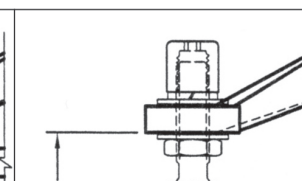
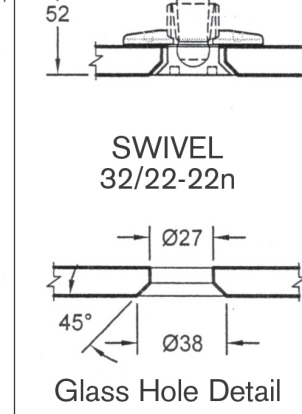
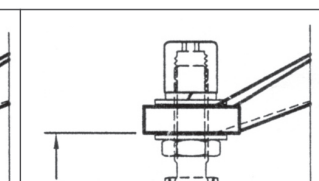
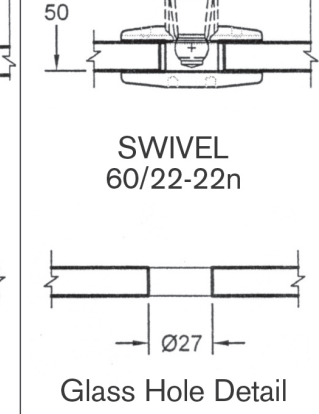
Heavy Duty Spider

| Code | Description | Price |
|----------|---|-------|
| 446/2M/1 | Specify Glass Thickness and Fixing Type Specify finish 316SSS or PSS | P.O.A |



Glass Fasteners
Standard

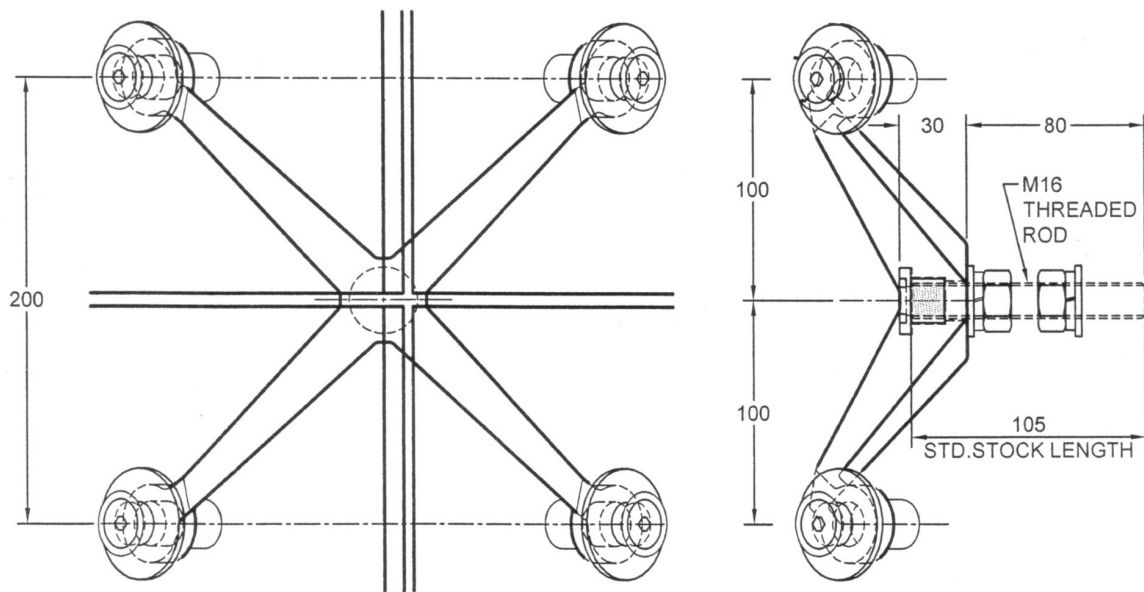
3 Options

| | | | |
|---|---|---|---|
|  <p>6.8</p> <p>FIXED M10 Csk SCREW</p>  <p>Glass Hole Detail</p> |  <p>6.8</p> <p>FIXED M10 Csk SCREW Ra DISC</p>  <p>Glass Hole Detail</p> |  <p>52</p> <p>SWIVEL 32/22-22n</p>  <p>Glass Hole Detail</p> |  <p>50</p> <p>SWIVEL 60/22-22n</p>  <p>Glass Hole Detail</p> |
|---|---|---|---|

CANOPIES AND SPIDERS

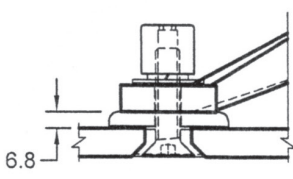
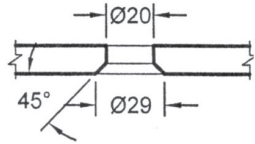
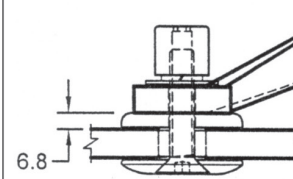
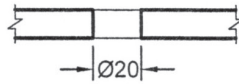
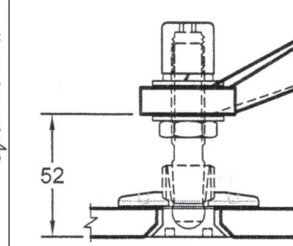
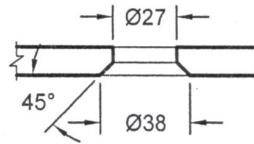
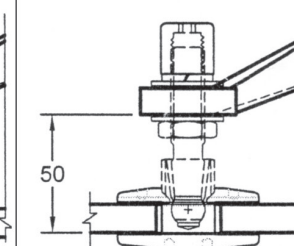
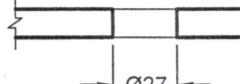
Heavy Duty Spider

| Code | Description | Price |
|------------|---|-------|
| 446/4M/90° | Specify Glass Thickness and Fixing Type Specify finish 316SSS or PSS | P.O.A |



Glass Fasteners
Standard

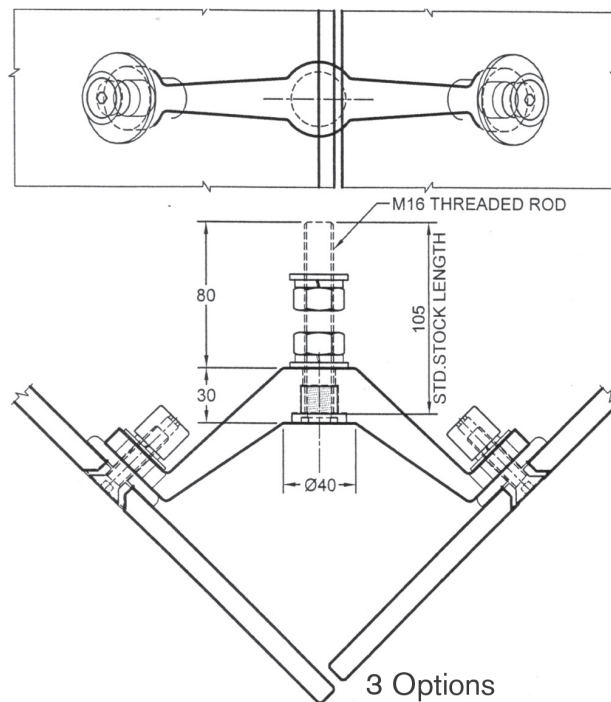
3 Options

| | | | |
|---|---|---|---|
|  <p>6.8</p> <p>FIXED M10 Csk SCREW</p>  <p>Glass Hole Detail</p> |  <p>6.8</p> <p>FIXED M10 Csk SCREW Ra DISC</p>  <p>Glass Hole Detail</p> |  <p>52</p> <p>SWIVEL 32/22-22n</p>  <p>Glass Hole Detail</p> |  <p>50</p> <p>SWIVEL 60/22-22n</p>  <p>Glass Hole Detail</p> |
|---|---|---|---|

CANOPIES AND SPIDERS

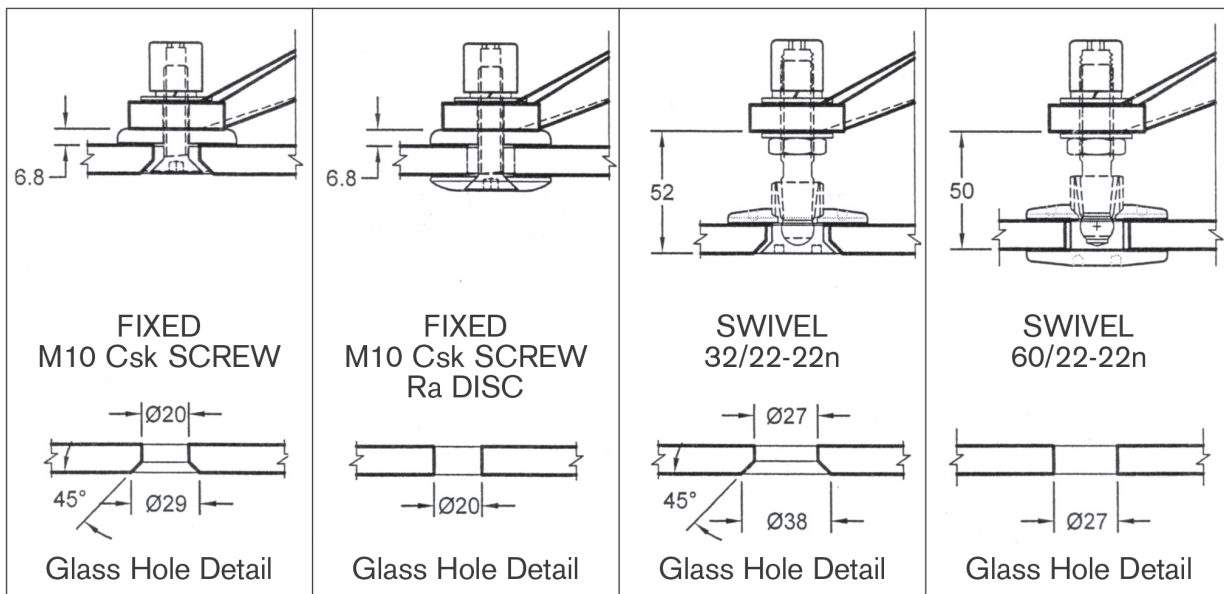
Heavy Duty Spider

| Code | Description | Price |
|------------|---|-------|
| 446/2M/90° | Specify Glass Thickness and Fixing Type Specify finish 316SSS or PSS | P.O.A |



Glass Fasteners
Standard

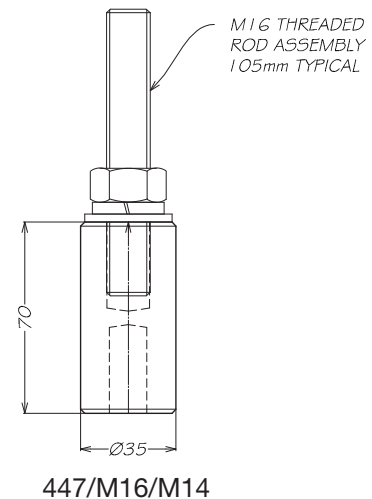
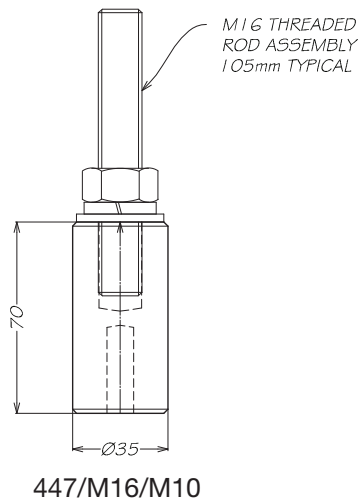
3 Options



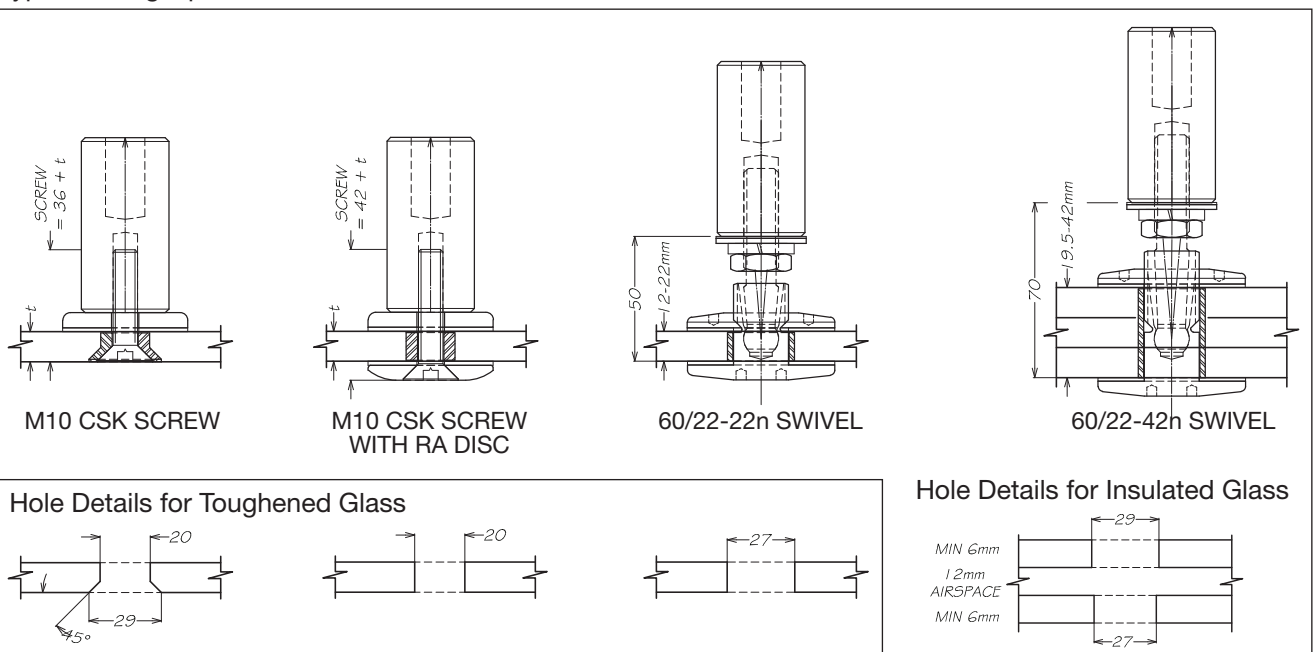
CANOPIES AND SPIDERS

Stand Off Spider

| Code | Description | Price |
|-------------|---|-------|
| 447/M16/M10 | Specify Glass Thickness and Fixing Type Specify finish 316SSS or PSS | P.O.A |
| 447/M16/M14 | Specify Glass Thickness and Fixing Type Specify finish 316SSS or PSS | P.O.A |



Typical Fixing Options

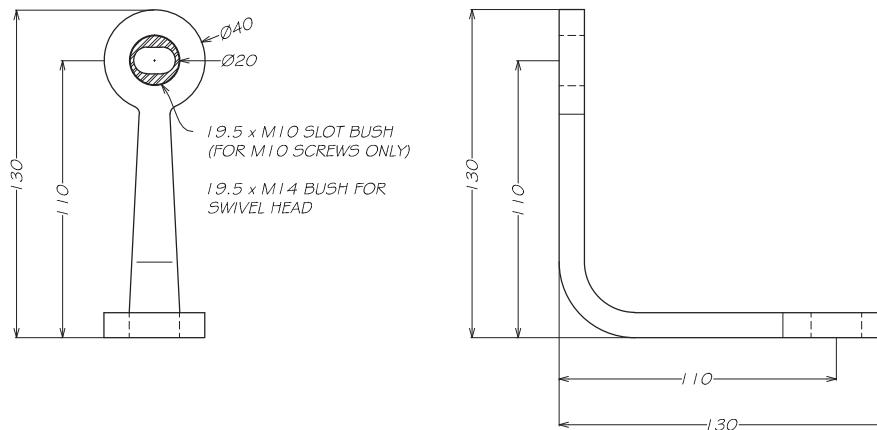


CANOPIES AND SPIDERS

Special Spider Series

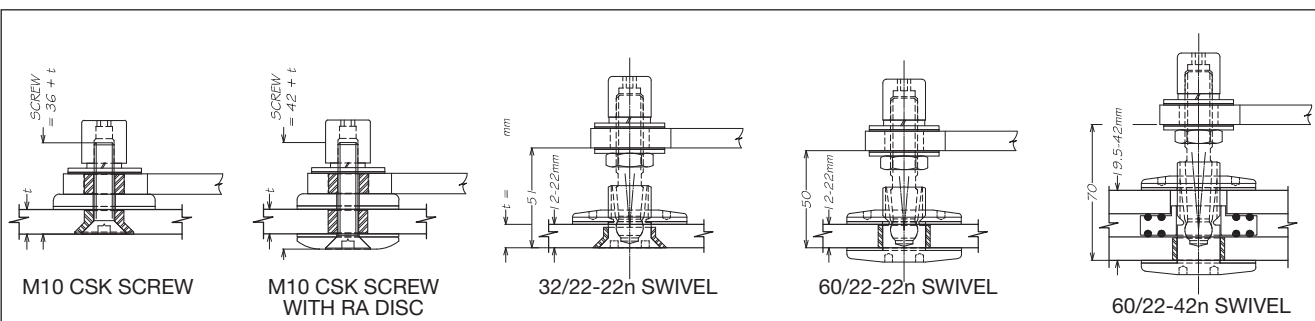
| Code | Description | Price |
|-----------|---|-------|
| 448/2/90° | Specify Glass Thickness and Fixing Type Specify finish 316SSS or PSS | P.O.A |

PLEASE NOTE: Item not readily stocked. Allow lead time for delivery of parts.

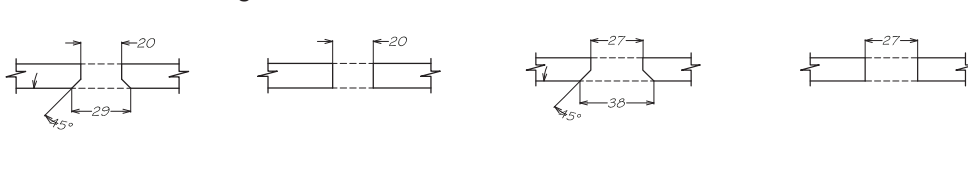


448-2-90 SPIDER

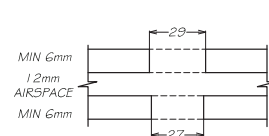
Typical Fixing Options



Hole Details for Toughened Glass



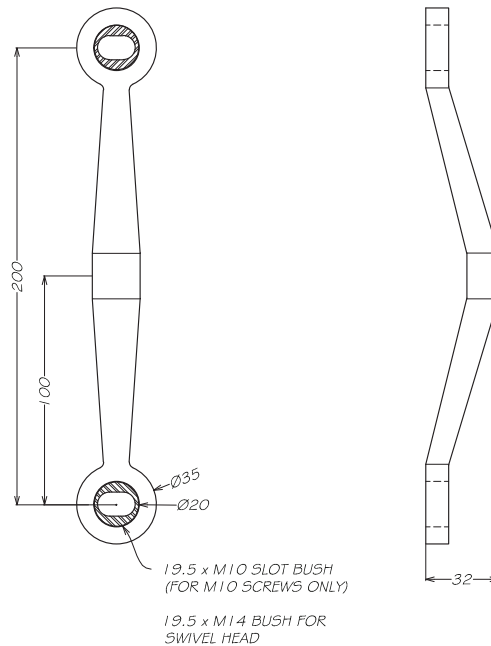
Hole Details for Insulated Glass



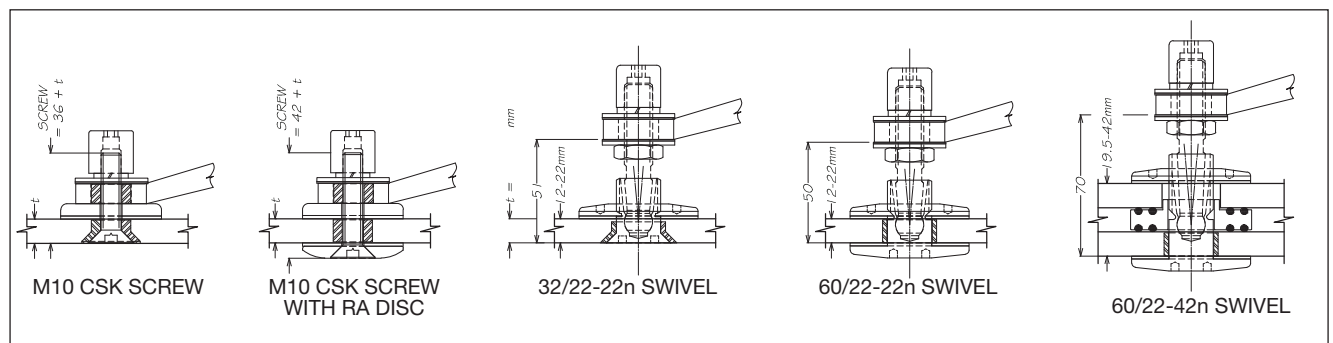
CANOPIES AND SPIDERS

Special Spider Series

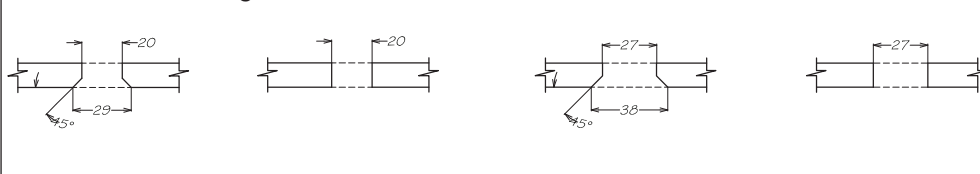
| Code | Description | Price |
|-------|---|-------|
| 448/2 | Specify Glass Thickness and Fixing Type Specify finish 316SSS or PSS | P.O.A |



Typical Fixing Options



Hole Details for Toughened Glass



Hole Details for Insulated Glass

