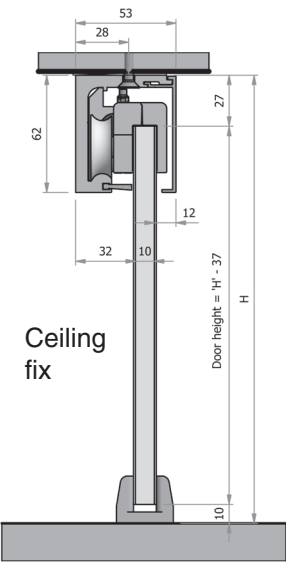
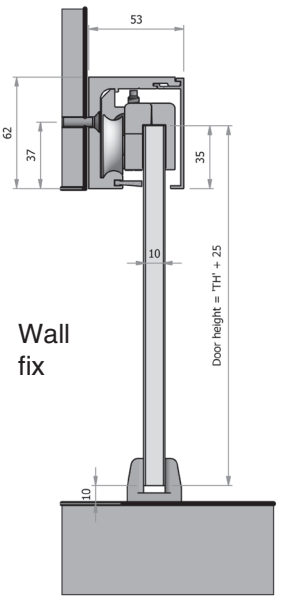


**SECTION 4: SPECIALITY FRAMELESS DOOR SYSTEMS      INDEX**

<b>Product</b>	<b>Page</b>
Glass Glide Ceiling or Wall Mount	4.1 - 4.2
Glass Glide Ceiling Mount with Sidelight Carrier	4.3 - 4.4
MF250 Heavy Duty Top Hung Sets	4.5
Sienna SN120 Tubular Sliding Door System	4.6
Linear 100 Bottom Sliding Door System	4.7
Linear 153 Bottom Sliding Door System	4.8
MRS90 Bottom Sliding System	4.9
Glaslide Bottom Sliding Multi Door External System	4.10 - 4.13

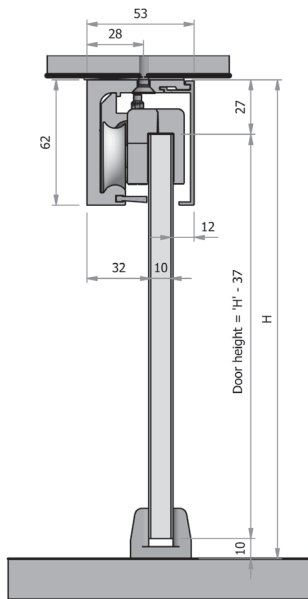
## SPECIALITY FRAMELESS DOOR SYSTEMS

### Glass Glide Sliding Door Set

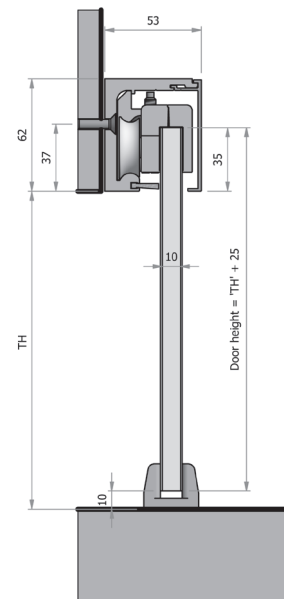
Product	Code	Description	Per Set
 <p>Ceiling fix</p>		<p><b>FEATURES</b> Slim profile track Top hung system Suitable for ceiling or wall fix installations No glass cutout required Specify 10mm or 12mm glass thickness Finish natural anodised</p> <p>Each set contains Track, Pelmet, Hangers, Stops, End Caps &amp; Floor guides</p> <p>Maximum door weight 150kg</p>	
 <p>Wall fix</p>	GG.CW2000	DOOR SET To suit door up to 1000mm wide	
	GG.CW3000	DOOR SET To suit door up to 1500mm wide	
	GG.CW5000	DOOR SET To suit door up to 2500mm wide	
	GG.DK	KIT FOR ADDITIONAL DOOR Includes hangers, stops and guides	
	GG.LSG	LSG UPGRADE To 11.2 toughened LSG	
Please note always specify glass thickness when ordering			

## SPECIALITY FRAMELESS DOOR SYSTEMS

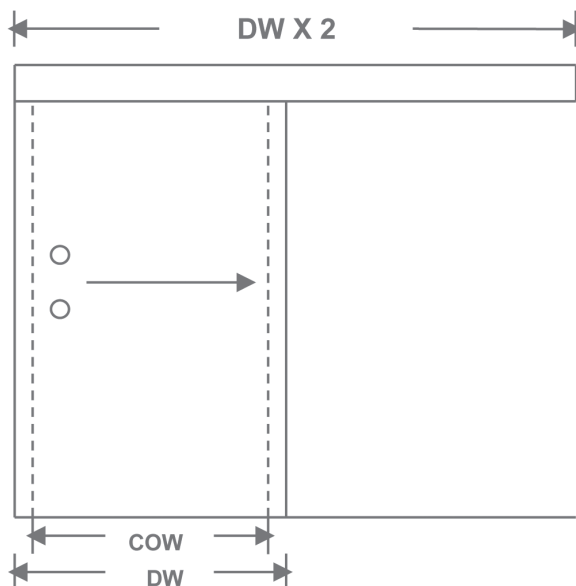
### Glass Glide Sliding Door Setout Details



**Ceiling fix**  
To determine door height  
H = Overall opening height  
DH = Glass door height  
DH = H less 37mm



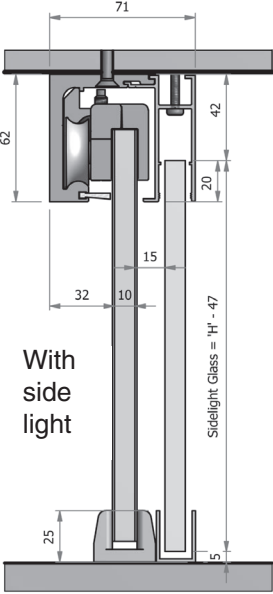
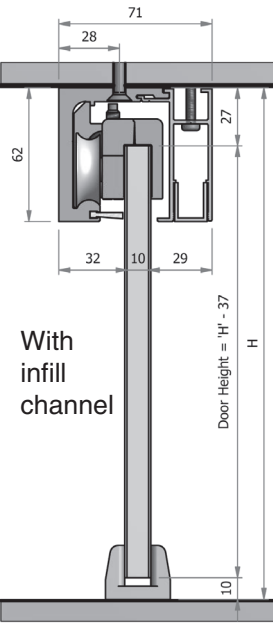
**Wall fix**  
To determine door height  
TH = Opening height to underside of transom  
DH = Glass door height  
DH = TH plus 25mm



To determine door width  
COW = Clear opening width  
DW = Door width  
Doors typically overlap the clear opening by 35mm each side  
Eg. DW = COW + 70mm  
Track length is 2 x door width

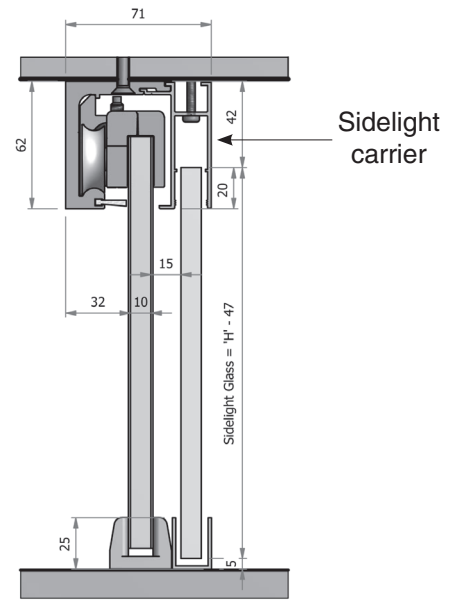
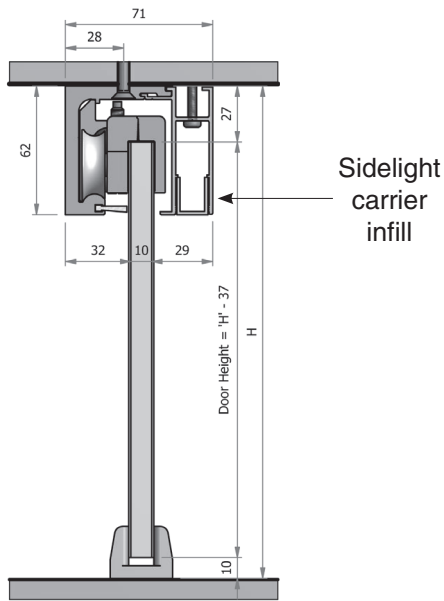
## SPECIALITY FRAMELESS DOOR SYSTEMS

### Glass Glide Ceiling Mount with Sidelight Carrier

Product	Code	Description	Per Set
 <p>With side light</p>		<p><b>FEATURES</b> Slim profile track with sidelight carrier section Top hung system Suitable for ceiling fix installations No glass cutout required Specify 10mm or 12mm glass thickness Natural anodised finish</p> <p><b>Each set contains</b> Track, Sidelight carrier section, Infill channel for carrier Hangers, Stops, End Caps &amp; Floor guides</p> <p>Maximum door weight 150kg</p>	
 <p>With infill channel</p>	GG.SP2000	DOOR SET To suit opening up to 2000mm wide (Door & sidelight)	
	GG.SP3000	DOOR SET To suit opening up to 3000mm wide (Door & sidelight)	
	GG.SP5000	DOOR SET To suit opening up to 5000mm wide (Door & sidelight)	
	GG.DK	KIT FOR ADDITIONAL DOOR Including hangers, stops and guides	
Please note always specify glass thickness when ordering			

## SPECIALITY FRAMELESS DOOR SYSTEMS

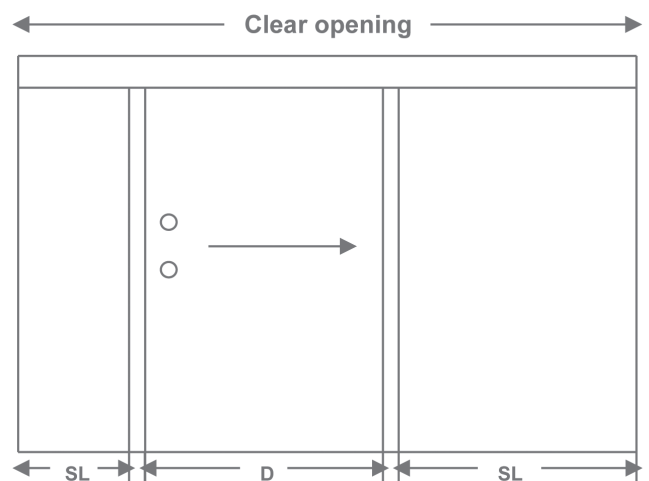
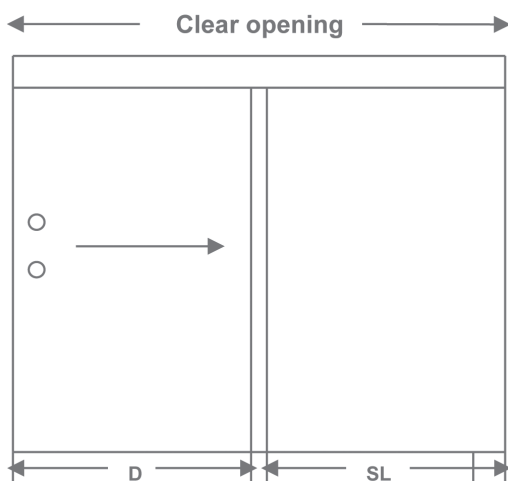
### Glass Glide Ceiling Mount with Sidelight Carrier



To determine the height of glass doors & sidelights

H = Overall opening height  
DH = Glass door height  
DH = H less 37mm

SL = Glass sidelight height  
SL = H less 47mm



With the Glass Glide sliding door & sidelight system there are numerous set out options.

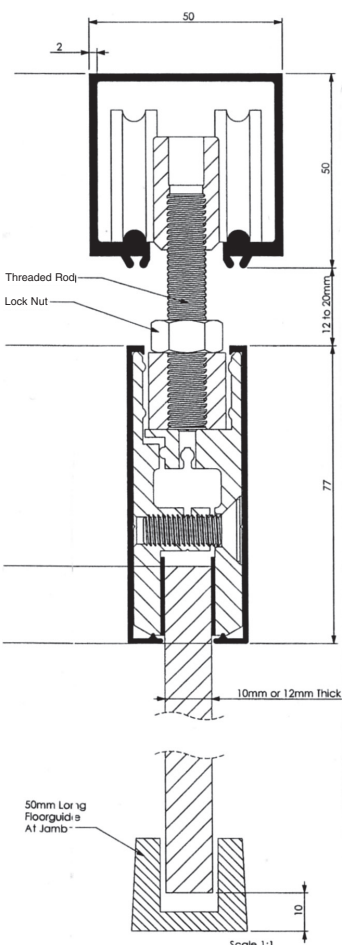
Above are two of the more common options.

Note: It is recommended that the door and sidelight overlap be 35mm each side.

When glazing side lights specify CS25 channel.


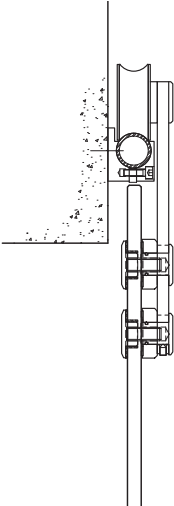
## SPECIALITY FRAMELESS DOOR SYSTEMS

### MF250 Sliding Door System

Product	Code	Description	Per Set
		<p><b>TOP HUNG SYSTEM WITH STANDARD TOP RAIL</b></p> <p>No cutout in glass required Max door weight 250kg Each door kit contains: 1 x top track natural anodised 1 x top rail natural anodised 2 x hangers 2 x track steps 1 x floor guide Specify 10mm or 12mm glass thickness Finish natural anodised</p>	
	MF250-1000	<p><b>DOOR KIT</b> For one door up to 1000mm wide All components as above Track 2000mm</p>	
	MF250-1500	<p><b>DOOR KIT</b> For one door up to 1500mm wide All components as above Track 3000mm</p>	
	MF250-2000	<p><b>DOOR KIT</b> For one door up to 2000mm wide All components as above Track 4000mm</p>	
	MF250-000	<b>CUSTOM DOOR SET</b>	
	MF250-T50	<p><b>ADDITIONAL TRACK</b> Per metre</p>	
	Note	<p>System can be used in single, biparting and multiple lines of sliding doors. Bottom Rails and in ground channel guide systems available on request.</p>	

## SPECIALITY FRAMELESS DOOR SYSTEMS

### Sienna SN120 Tubular Sliding Door Set

Product	Code	Description	Per Set
<p><b>Glass Mount</b></p>  <p><b>Solid Wall Mount</b></p> 		<p>Tubular top hung sliding door system supplied as single door sets. Two sets can be joined for biparting door applications.</p> <p>All components satin stainless steel finish.</p> <p>Sets include track, hangers, mounting brackets, stops and floorguide.</p> <p>Max door weight 120kg</p> <p>Max door width 1500mm</p> <p>Max door height 2400mm</p> <p>Glass thickness 10mm</p>	
		<p><b>GLASS MOUNT SETS</b></p> <p>Glass mount sets contain mount brackets to fix track to glass over light and side panels.</p>	
	SNGG25	<p>Glass mount set to suit up to 1250mm wide door. 2500mm track includes 7 glass mount brackets.</p>	
	SNGG30	<p>Glass mount set to suit up to 1500mm wide door. 3000mm track includes 7 glass mount brackets.</p>	
		<p><b>SOLID WALL MOUNT SETS</b></p> <p>Solid wall mount sets contain mount brackets to fix track to solid timber/concrete walls.</p>	
	SNGW25	<p>Wall mount set to suit up to 1250mm wide door. 2500mm track includes 5 wall mount brackets.</p>	
	SNGW30	<p>Wall mount set to suit up to 1500mm wide door. 3000mm track includes 6 wall mount brackets.</p>	
SNTJ10	<p>TRACK JOINTER</p>		

Setout details for all installation types available on request.

## SPECIALITY FRAMELESS DOOR SYSTEMS

### Linear 100 Sliding Door System

Specify 10mm or 12mm glass thickness

Product	Code	Description	Per Set
<p>Typical Glass Set Out</p>		<b>BOTTOM ROLLING SLIDING DOOR SYSTEM FLOOR/CEILING FIX</b> Max door weight 170kg Each door kit contains: 2 x 100 wheels satin stainless steel 2 x top channel stops 1 x top channel natural anodised 1 x bottom channel natural anodised	
	L100-1000	<b>DOOR KIT</b> For one door up to 1000m wide all components as above Track & Channel 2000mm	
	L100-1500	<b>DOOR KIT</b> For one door up to 1500m wide All components as above Track & Channel 3000mm	
	L100-2000	<b>DOOR KIT</b> For one door up to 2000m wide All components as above Track & Channel 4000mm	
		<b>Components</b>	<b>Per Metre</b>
	L153-T40	ADDITIONAL BOTTOM TRACK	
	L153-C50	ADDITIONAL TOP CHANNEL	
		System can be used with multiple lines of track for several doors opening in the same direction and biparting applications	

X = height of door which is finished opening height less 35mm

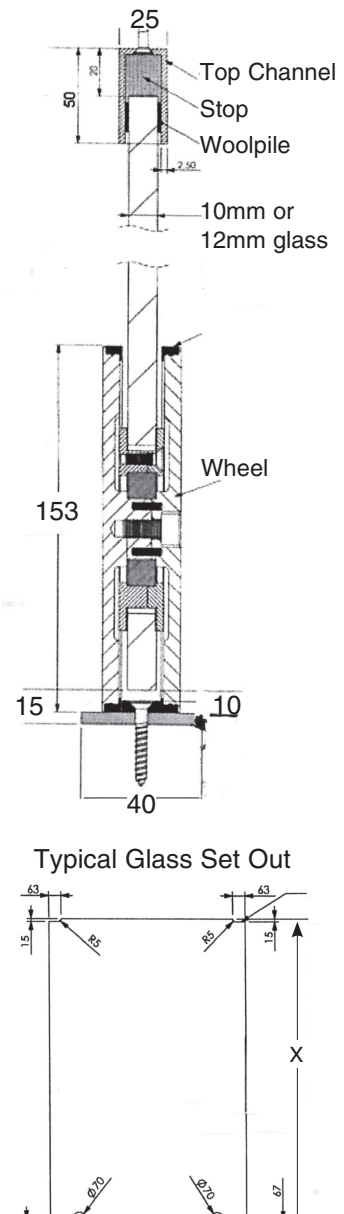
Note: Allow for selected handle glass preparation



## SPECIALITY FRAMELESS DOOR SYSTEMS

### Linear 153 Sliding Door System

Specify 10mm or 12mm glass thickness

Product	Code	Description	Per Set
 <p>25 50 20 7.50 10mm or 12mm glass Top Channel Stop Woolpile 153 15 10 40 Wheel Typical Glass Set Out 63 15 85 15 67 150 150 15 67 X</p>		<b>BOTTOM ROLLING SLIDING DOOR</b> Max door weight 250kg Each door kit contains: 2 x 153 wheels satin stainless steel 2 x top channel stops 2 x top channel natural anodised 1 x bottom channel natural anodised	
	L153-1000	<b>DOOR KIT</b> For one door up to 1000m wide All components as above Track & Channel 2000mm	
	L153-1500	<b>DOOR KIT</b> For one door up to 1500m wide All components as above Track & Channel 3000mm	
	L153-2000	<b>DOOR KIT</b> For one door up to 2000m wide All components as above Track & Channel 4000mm	
		<b>Components</b>	<b>Per Metre</b>
L153-T40	ADDITIONAL BOTTOM TRACK		
L153-C50	ADDITIONAL TOP CHANNEL		
		System can be used with multiple lines of track for several doors opening in the same direction and bi-parting applications	

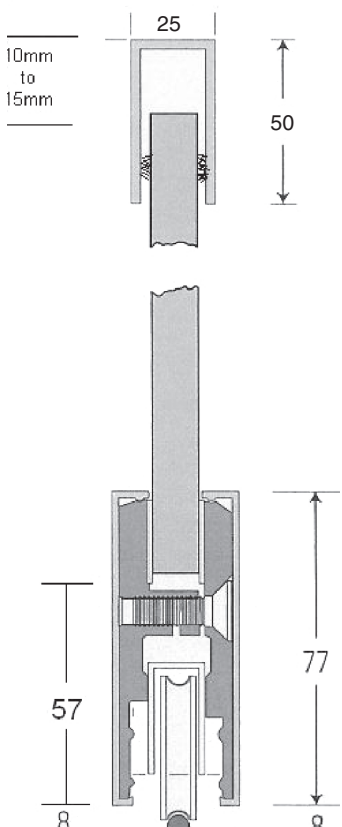
X = height of door which is finished opening height less 35mm

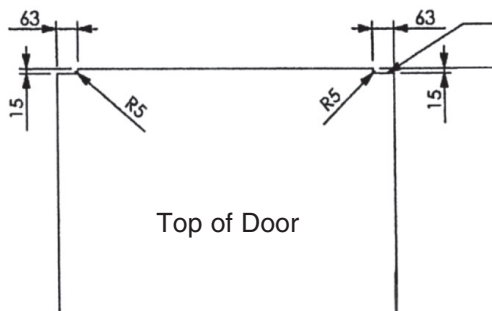
Note: Allow for selected handle glass preparation

## SPECIALITY FRAMELESS DOOR SYSTEMS

### MRS90 Sliding Rail Set

Specify 10 mm or 12 mm glass and door width

Product	Code	Description	Per Set
		<b>BOTTOM RAIL SLIDING SYSTEM</b> Each kit contains bottom sliding rail, bottom track, top channel and 2 channel stops Finish natural anodised	
	MRS90-1250 HW	<b>HEAVYWEIGHT DOOR KIT TO SLIDE SINGLE DOOR</b> Up to 1250mm wide Brass bottom track. Max door weight <b>180kg</b>	
	MRS90-1250	<b>DOOR KIT TO SLIDE SINGLE DOOR</b> Up to 1250mm wide Anodised aluminium bottom track Max door weight <b>100kg</b> Adjustable height double nylon rollers	
	MRS90-000	<b>CUSTOM DOOR KIT</b> Can be designed with multiple lines of track for several doors opening in the same direction and biparting applications	
	MRS90-L	<b>BOTTOM LOCK WITH KEEPER</b>	




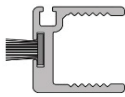
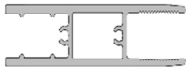

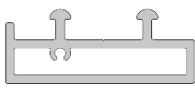
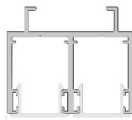
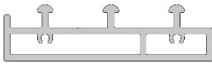
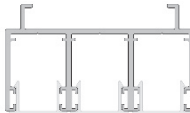
Top of Door

Details of top of door.  
Notch setout to accommodate top Channel Stops.

## SPECIALITY FRAMELESS DOOR SYSTEMS

### Glaslide Multi Sliding External Door Components

Request the Glaslide technical brochure for specifications and product details to ensure you order the correct components for your project.

Product	Code	Description	Price
	JGS/5211/5.8/PC	GLASLIDE INFILL CLIP 5800mm	
	JGS/5215/5.8/PC	GLASLIDE CLOSING STILE Without woodpile 5800mm	
	JGS/5216M/1400/PC	GLASLIDE BOTTOM MACHINED For magnetic latch Max. door width 1100mm	
	JGS/5216/5.8/PC	GLASLIDE BOTTOM RAIL 5800mm	
	JGS/5217/5.8/PC	GLASLIDE DOUBLE BOTTOM TRACK 5800mm	
	JGS/5218/5.8/PC	GLASLIDE DOUBLE TOP TRACK 5800mm	
	JGS/5227/5.8/PC	GLASLIDE TRIPLE BOTTOM TRACK 5800mm	
	JGS/5228/5.8/PC	GLASLIDE TRIPLE TOP TRACK 5800mm	







## SPECIALITY FRAMELESS DOOR SYSTEMS

### Glaslide Multi Sliding External Door Components

Product	Code	Description	Price
	JGS/W01/SS	GLASLIDE 60KG DUAL WHEEL ROLLER	
	JGS/C02/PL	GLASLIDE END CATCH CAP NON HANDED	
	JGS/C03/PC	GLASLIDE RAIL END CAP PLAIN	
	JGS/C04/12/PC	GLASLIDE RAIL END CAP 12MM NOTCH	
	JGS/C04/15/PC	GLASLIDE RAIL END CAP 15MM NOTCH	
	JGS/C05/PC	GLASLIDE RAIL MAGNET LATCH KEEPER NON HANDED	
	JGS/C01/PC	GLASLIDE MAGNETIC LATCH ASSEMBLY	
	JGS/C06/M	GLASLIDE CORNER CLEAT	
	JGS/C07/B	GLASLIDE RUBBER END DOOR STOP	

## SPECIALITY FRAMELESS DOOR SYSTEMS

### Glaslide Multi Sliding External Door Components

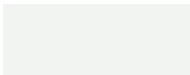
Product	Code	Description	Price
	JGS/C08	GLASLIDE CLEAR DOME TOP BUMP – SHEET OF 45	
	JGS/C09/BLACK	GLASLIDE RUBBER CAP BUMP	
	JGS/C10	GLASLIDE 10MM GLAZING CLIP 150MM BLACK	
	JGS/C12	GLASLIDE 12MM GLAZING CLIP	
	JGS/C15	GLASLIDE 15MM SETTING BLOCK	
	JC225/350/BLACK	7MM HIGH WOOL PILE Black per metre	
<p>Note. All powder coat colours are to order. If orders are under 20 lineal metres of product, a short run powder coat charge will apply. Non standard colours from the Juralco colour range will have a surcharge. Mill products are less 10% off the powder coat price list. For standard powder coat colours, refer to page 4.13.</p>			

## SPECIALITY FRAMELESS DOOR SYSTEMS

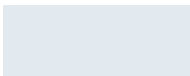
### STANDARD POWDER COAT COLOURS



#### WHITE



**MATT APPLIANCE WHITE**  
9151274M



**ARCTIC WHITE**  
91558851



**OFF WHITE**  
91558804



**PEARL WHITE**  
28897434



**MATT RIVERGUM BEIGE**  
9153143M



**MATT WOODWIND**  
9153155M

#### LIGHT GREY



**MATT CANVAS CLOTH**  
9157327M



**MATT GHOST GREY**  
9157401M



**MATT GULL GREY**  
9157511M



**MATT O'KEEFE GREY**  
9157400M



**LSG MATT TITANIA**  
9152068M

#### RED



**MATT SCORIA**  
9154114M

#### BROWN



**MATT BRONCO**  
9152111M



**MATT DESERT SAND**  
9153065M



**MATT IRONSAND**  
9158096M



**MATT KAURI**  
9158159M



**MATT LIGNITE**  
9158033M



**MATT OLIVE**  
9156193M

#### METROPOLIS (KINETIC)



**BRONZE FROST KINETIC**  
9008194K



**SILVER FROST KINETIC**  
9157323K



**SILVER PEARL  
METROPOLIS KINETIC**  
9157113K



**SILVER STAR  
METROPOLIS KINETIC**  
9157043K



**WINDOW BRONZE  
METROPOLIS KINETIC**  
9158068K

#### ANOTEC



**ANOTEC MID BRONZE**  
91558751

#### BLUE



**MATT NEW DENIM BLUE**  
9155063M

#### GREEN



**MATT KARAKA**  
9156064M



**MATT LICHEN**  
9156101M



**MATT MIST GREEN**  
9156103M



**MATT PERMANENT  
GREEN**  
9156102M

#### BLACK



**MATT BLACK**  
9159041M



**MATT CHARCOAL**  
9159058M



**MATT FLAX POD**  
9159145M



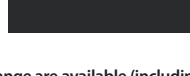
**MATT GRAVEL**  
9157404M



**MATT GREY FRIARS**  
9157167M



**MATT SANDSTONE  
GREY**  
9157217M



**SATIN BLACK**  
91558651

Other powder coat colours from the Interpon Standard, Dulux Duralloy or Dulux Metropolis Pearls Powder coat range are available (including Satin rather than Matt Finishes), however please note that they incur a surcharge. Please contact Juralco with any queries.

**These colours are representative only, please take the time to check an actual powder coated sample of the colour of your choice**